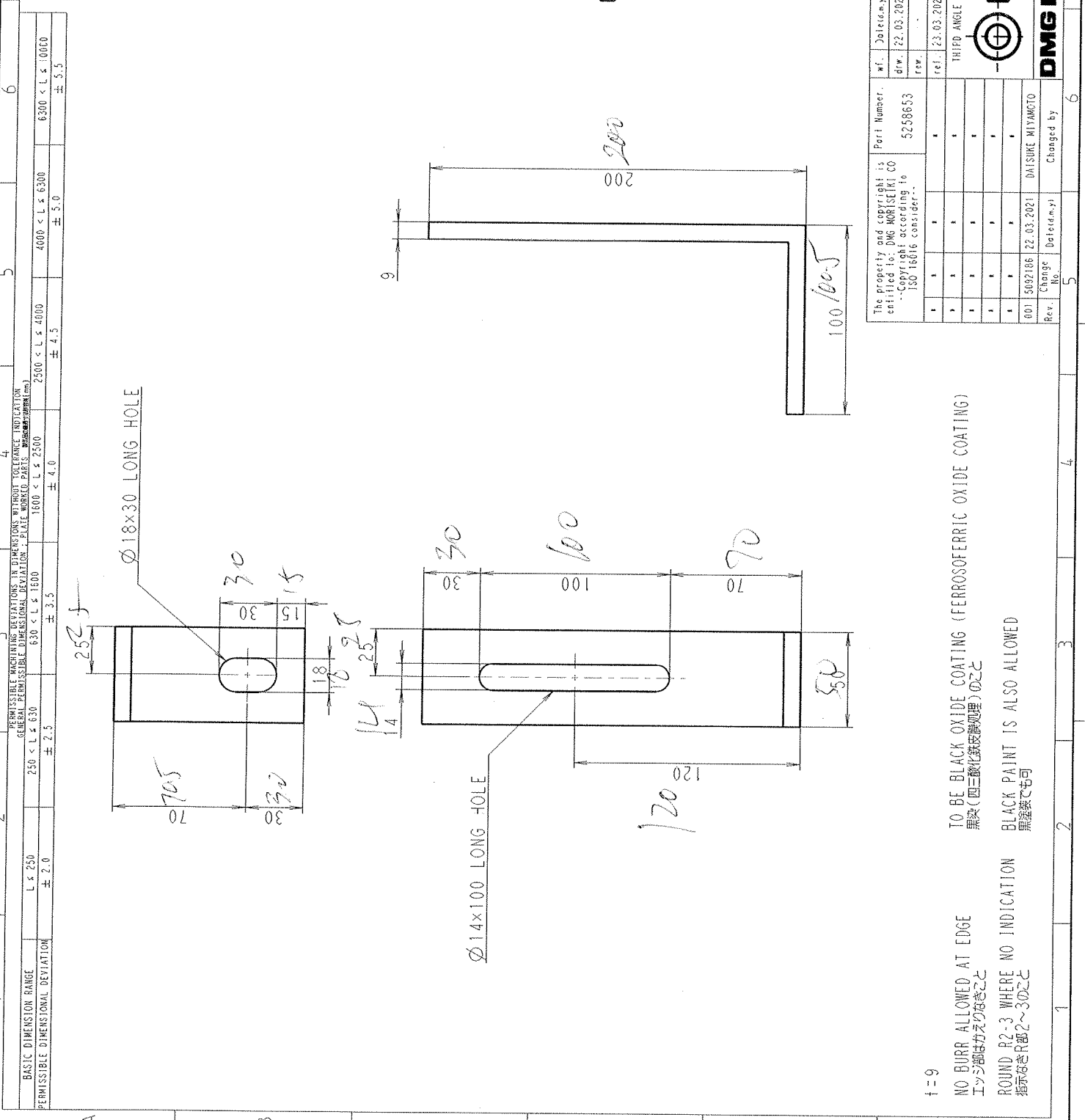
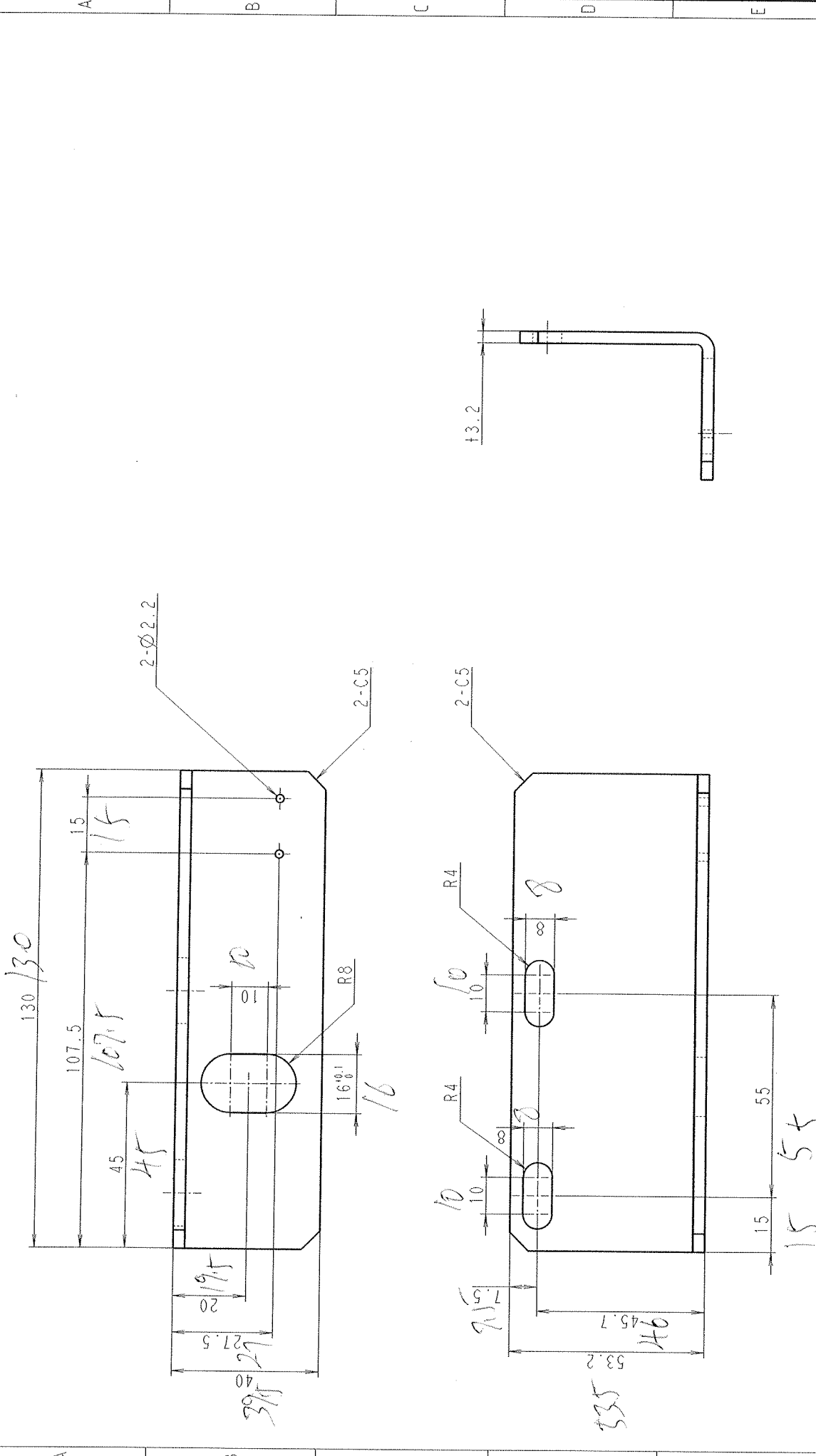


1	2	3	4	5	6	7	8
PERMISSIBLE DIMENSIONAL DEVIATIONS IN MILLIMETERS BEFORE INDICATION GENERAL PERMISSIBLE DIMENSIONAL DEVIATION (公差範囲) (mm)							
BASIC DIMENSION RANGE		L < 250		250 < L < 630		630 < L < 1600	
PERMISSIBLE DIMENSIONAL DEVIATION		± 0.20		± 0.30		± 0.40	
		L < 250		250 < L < 630		630 < L < 1600	
		± 0.10		± 0.15		± 0.20	

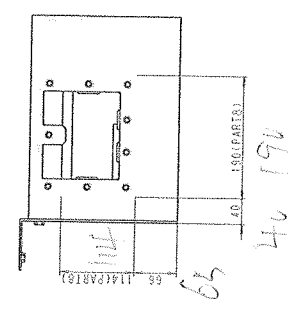
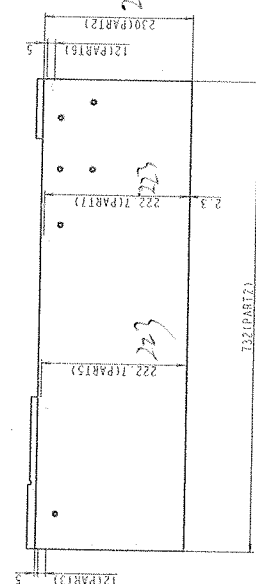
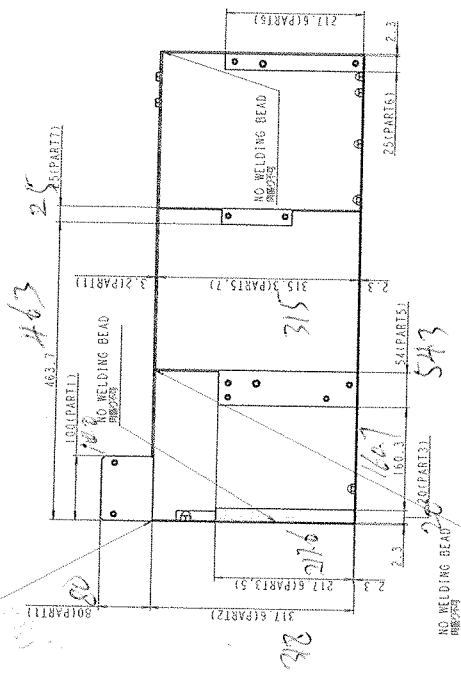
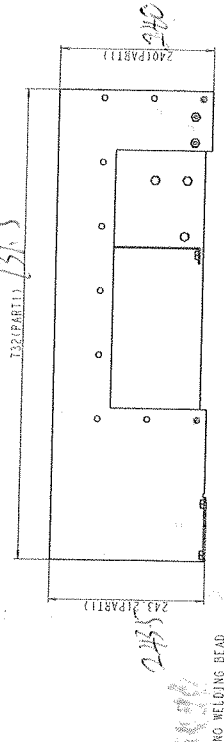
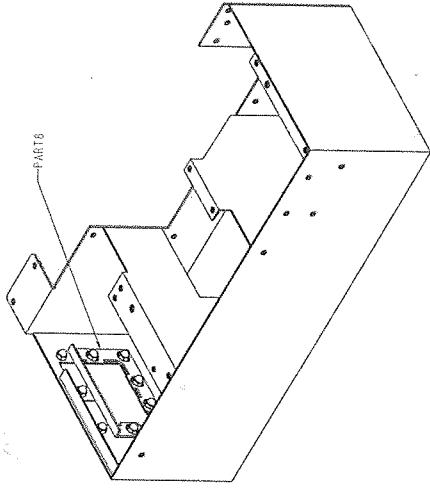
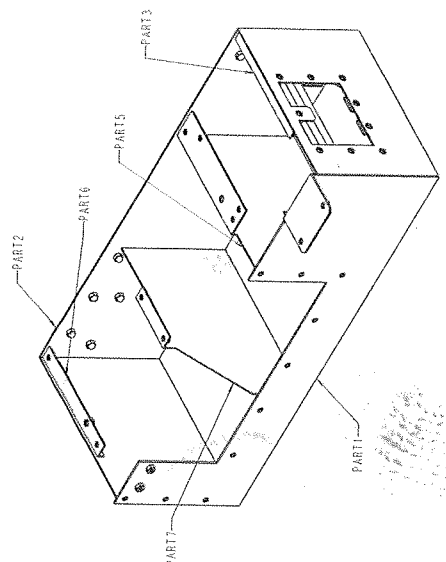


The property and copyright is entitled to: DMG MORI SEIMITI CO. --Copyright according to JIS 1616 consider--	Part Number: 5258653	Date (mm.yy) dw: 22.03.2021 rev:	Name DAIISUKE MIYAMOTO	Prec: Q.C.: MD	Document type: Part drawing
Date (mm.yy) ref: 23.03.2021	Material: KOJI NAKAGAWA	Mass: 0.90 kg	Format: A3	Scale: 1:2	SLD 400-D
THIRD ANGLE PROJECTION					
Title: ANGLE - 200x100x50-90 Angle					
Drawing Number: 5258653					
Rev.: 001					
Type: Sheet: 1/1					



技术要求  
 去除毛刺飞边  
 表面喷涂泰坦灰

The property and copyright is entitled to: DMG MORI SEIKI CO. - Copyright according to ISO 15016 consider...		Part Number.	wf.	Date(s,y)	Name	Pre:	Document Type:
Rev.	Change No.	2023.09.25	drw.	2023.09.25	ER	O.C.:	
			rev.			Mass:	0.27 kg
			rel.			Material:	SPRC-P
THIRD ANGLE PROJECTION				Title:			
				XIA			
				Drawing Number:			
				Rev.: Type: Sheet:			
				1/1			
				3539			



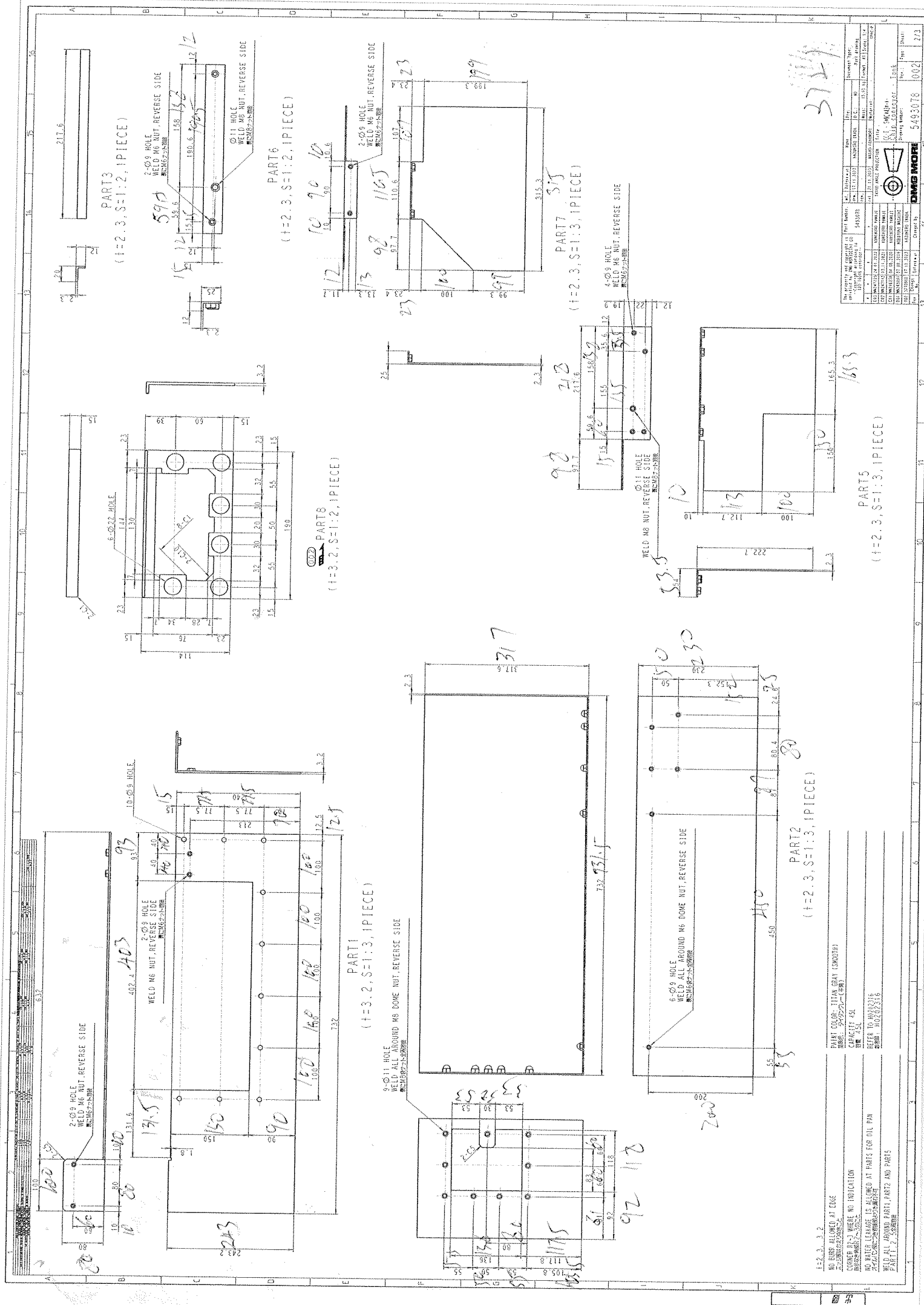
3121

PAINT COLOR: F114-GRAY (SMOOTH)  
 FINISH: 97-92-70-1 (98)  
 CAPACITY: 4L  
 DIM: 451  
 LEAK: TO 100%  
 P/N: H020316

1.2.3.3.2  
 NO HOSE ALLOWED AT EDGE  
 CORNER R2-R3 WHERE NO INDICATION  
 NO WATER LEAKAGE IS ALLOWED AT PARTS FOR OIL PAN  
 WELD ALL AROUND PART, PART 2 AND PARTS  
 PART 2, 3, 5, 6, 7, 8, 9, 10, 11, 12, 13, 14, 15, 16, 17, 18, 19, 20, 21, 22, 23, 24, 25, 26, 27, 28, 29, 30, 31, 32, 33, 34, 35, 36, 37, 38, 39, 40, 41, 42, 43, 44, 45, 46, 47, 48, 49, 50, 51, 52, 53, 54, 55, 56, 57, 58, 59, 60, 61, 62, 63, 64, 65, 66, 67, 68, 69, 70, 71, 72, 73, 74, 75, 76, 77, 78, 79, 80, 81, 82, 83, 84, 85, 86, 87, 88, 89, 90, 91, 92, 93, 94, 95, 96, 97, 98, 99, 100

Part No.	Part Name	Qty	Material	Notes
1	HOUSING	1	ALUMINUM	
2	TOP COVER	1	ALUMINUM	
3	SIDE PANEL	1	ALUMINUM	
4	BASE	1	ALUMINUM	
5	SUPPORT	1	ALUMINUM	
6	BRAKET	1	ALUMINUM	
7	FASTENER	1	ALUMINUM	
8	SMALL COMPONENT	1	ALUMINUM	

3121  
 DWG NO: 5493076  
 002  
 1/3



PART 3  
(1=2.3, S=1:2, 1PIECE)

PART 6  
(1=2.3, S=1:2, 1PIECE)

PART 7  
(1=2.3, S=1:3, 1PIECE)

PART 8  
(1=3.2, S=1:2, 1PIECE)

PART 1  
(1=3.2, S=1:3, 1PIECE)

PART 2  
(1=2.3, S=1:3, 1PIECE)

PART 5  
(1=2.3, S=1:3, 1PIECE)

Part Name	Part Number	Rev.	Quantity	Unit	Material	Finish	Notes
...	...	...	...	...	...	...	...

Part Name	Part Number	Rev.	Quantity	Unit	Material	Finish	Notes
...	...	...	...	...	...	...	...

Part Name	Part Number	Rev.	Quantity	Unit	Material	Finish	Notes
...	...	...	...	...	...	...	...

Part Name	Part Number	Rev.	Quantity	Unit	Material	Finish	Notes
...	...	...	...	...	...	...	...

Part Name	Part Number	Rev.	Quantity	Unit	Material	Finish	Notes
...	...	...	...	...	...	...	...

372

377

378

379

380

381

382

383

384

385

386

NO BURR ALLOWED AT EDGE  
CORNER R.F.'S WHERE NO INDICATION  
REFER TO DRAWING FOR ALL DIMENSIONS  
PARTS 1, 2, 3, 5, 6, 7, 8, 9, 10, 11, 12, 13, 14, 15, 16, 17, 18, 19, 20, 21, 22, 23, 24, 25, 26, 27, 28, 29, 30, 31, 32, 33, 34, 35, 36, 37, 38, 39, 40, 41, 42, 43, 44, 45, 46, 47, 48, 49, 50, 51, 52, 53, 54, 55, 56, 57, 58, 59, 60, 61, 62, 63, 64, 65, 66, 67, 68, 69, 70, 71, 72, 73, 74, 75, 76, 77, 78, 79, 80, 81, 82, 83, 84, 85, 86, 87, 88, 89, 90, 91, 92, 93, 94, 95, 96, 97, 98, 99, 100



5493078 10021 273