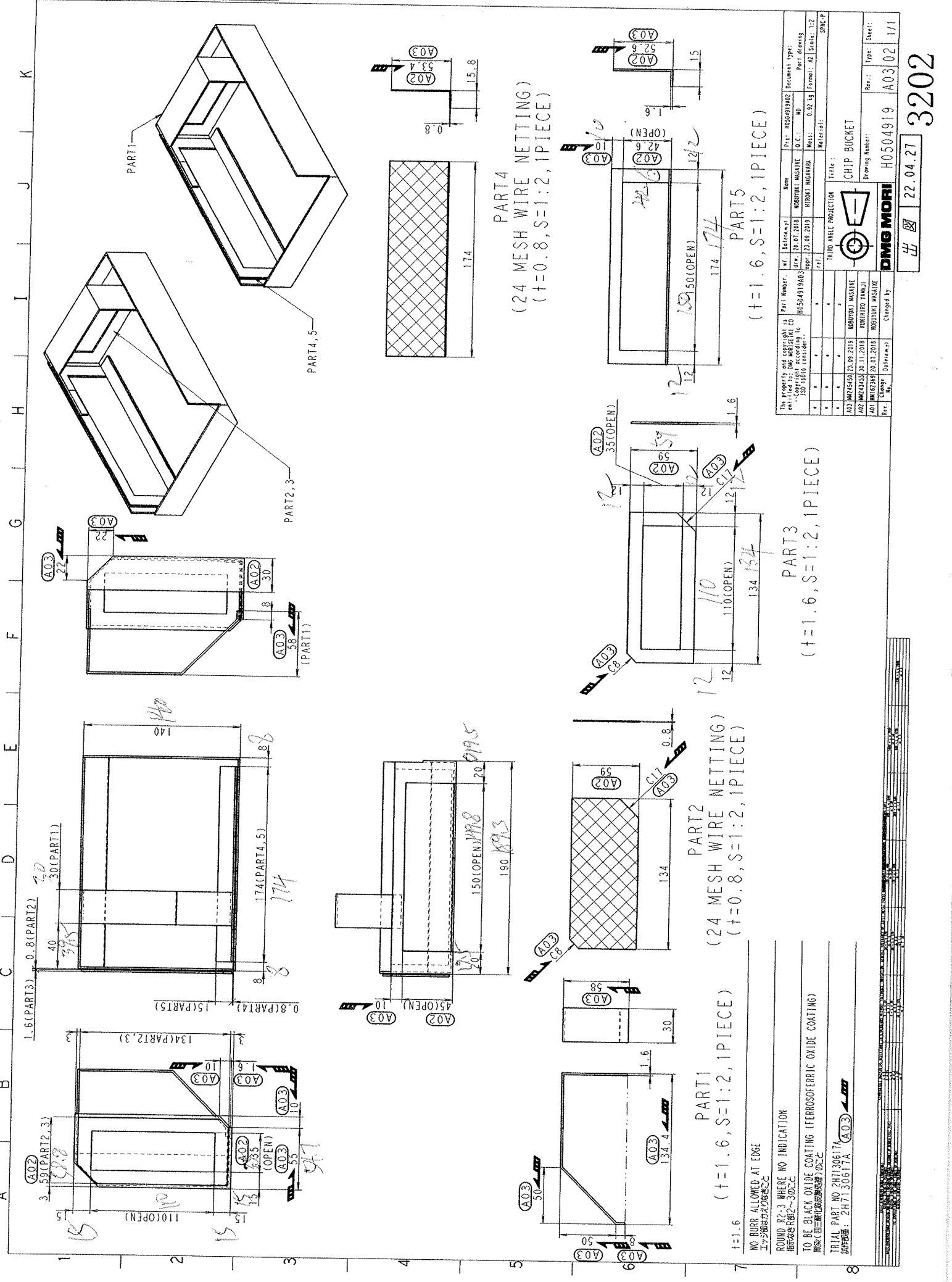




WARNING: EXPORT CONTROLLED - RESTRICTED - CONFIDENTIAL  
 Property Data Not for Release to Foreign Person or Entity without the express written consent of DMG Mori. Contact Export Control Dept. for export procedures and approvals. Violators are subject to sanctions and imprisonment.



PART4  
 (24 MESH WIRE NETTING)  
 (t=0.8, S=1:2, 1PIECE)

PART5  
 (t=1.6, S=1:2, 1PIECE)

PART3  
 (t=1.6, S=1:2, 1PIECE)

PART2  
 (24 MESH WIRE NETTING)  
 (t=0.8, S=1:2, 1PIECE)

PART1  
 (t=1.6, S=1:2, 1PIECE)

NO BURR ALLOWED AT EDGE  
 工之端部は刃物禁止  
 ROUND R2-3 WHERE NO INDICATION  
 指示がない箇所R2~3の寸法  
 TO BE BLACK OXIDE COATING (FERROUS FERRIC OXIDE COATING)  
 黒酸(四三酸化鉄酸化物)の寸法  
 TRIAL PART NO. 2HT130617A  
 試作品番号: 2HT130617A

The property and copyright in this drawing is reserved to DMG MORI SEIKI CO. LTD. All rights reserved.		Part Number: H0504919A03		Name: 第三角形プロジェクタ		Title: CHIP BUCKET	
Rev. No.	Change	Detected by	Checked by	Rev. No.	Change	Detected by	Checked by
A01	1004232809	20.07.2018	HIROKI MASUDA	A01	1004232809	20.07.2018	HIROKI MASUDA
A02	1004232809	20.11.2018	HIROKI MASUDA	A02	1004232809	20.11.2018	HIROKI MASUDA
A03	1004232809	23.09.2019	HIROKI MASUDA	A03	1004232809	23.09.2019	HIROKI MASUDA
Date: 20.07.2018		Dwg. No. H0504919A03		Date: 20.07.2018		Dwg. No. H0504919A03	
Scale: 1:2		Format: A2		Scale: 1:2		Format: A2	
Mass: 0.97 kg		Material: SMC-P		Mass: 0.97 kg		Material: SMC-P	
Drawing Number: H0504919		Type: Sheet: 1/1		Drawing Number: H0504919		Type: Sheet: 1/1	
Changed by: 出		22.04.27		Changed by: 出		22.04.27	

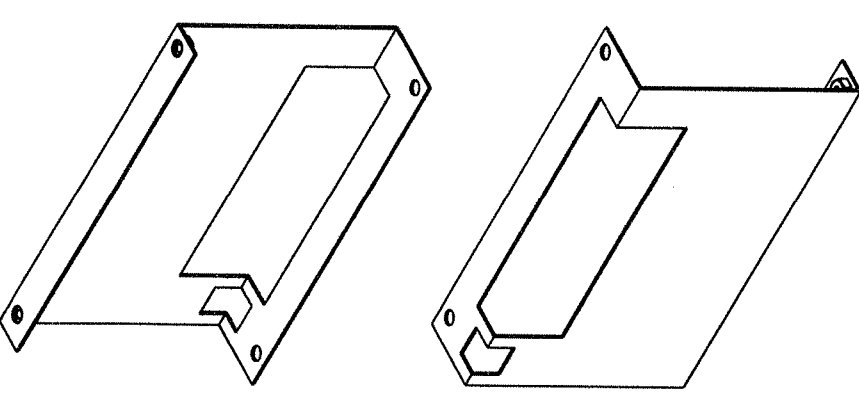
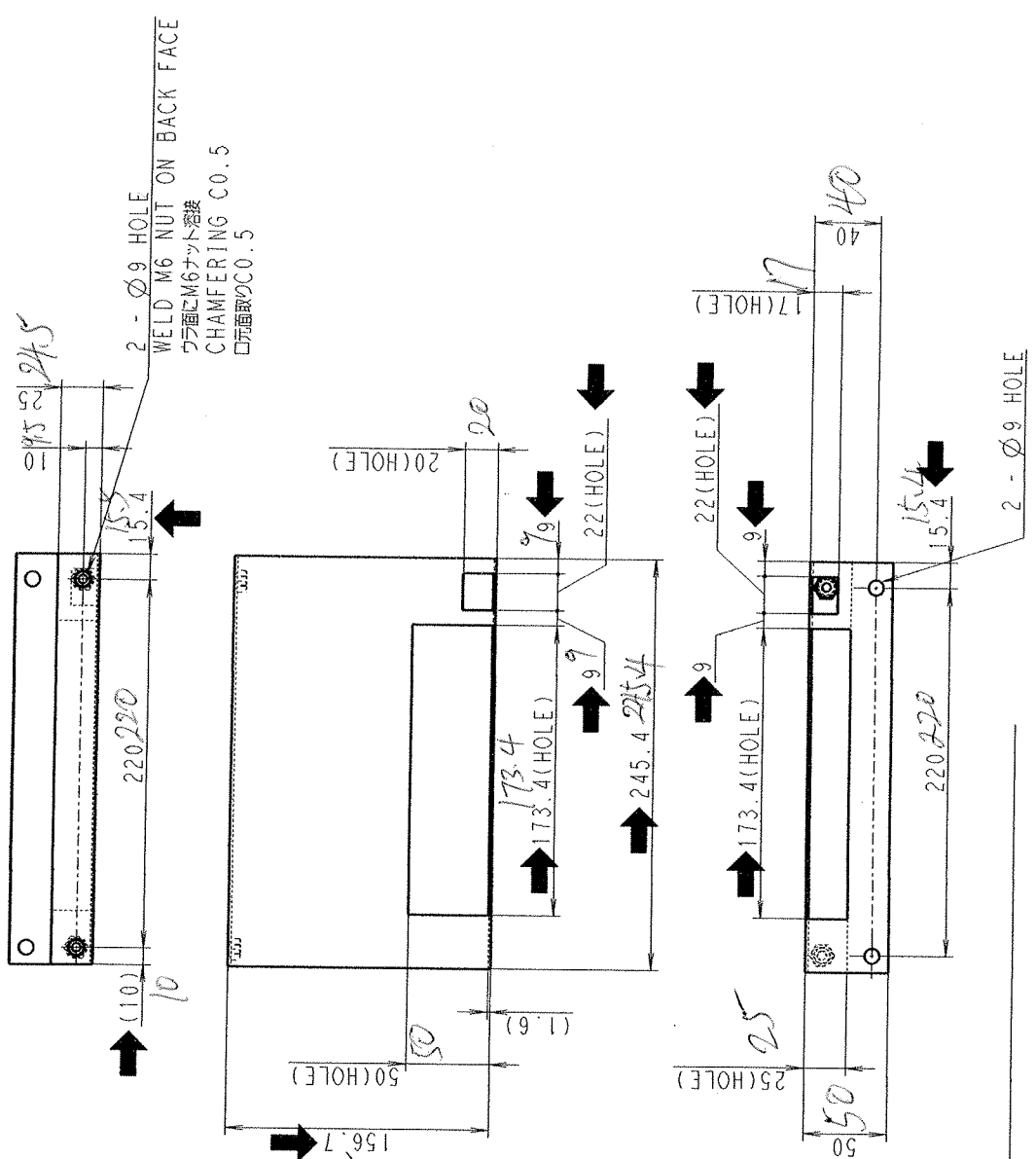
3202







1	DATE PREPARED	2023.03.28
2	DATE CHECKED	2023.03.28
3	DATE APPROVED	2023.03.28
4	DATE OF REVISION	
5	DATE OF REVISION	
6	DATE OF REVISION	
7	DATE OF REVISION	
8	DATE OF REVISION	
9	DATE OF REVISION	
10	DATE OF REVISION	



t=1.6  
 NO BURR ALLOWED AT EDGE  
 エッジ部はかえりのなきこと  
 CORNER C2~3 WHERE NO INDICATION  
 指示なき角部C2~3のなきこと  
 TO BE BLACK OXIDE COATING (FERROSOFERRIC OXIDE COATING)  
 黒染(四三酸化鉄酸処理)のなきこと  
 BLACK PAINT IS ALSO ALLOWED  
 黒塗装でも可  
 ONLY INDICATED PARTS DIFFER FROM H1605385A03  
 H1605385A03 と 部分のみ異なる

The property and copyright is entitled to: DMG MORI SEIKI CO		Part Number:	5423380
--Copyright according to ISO 16616 consider--		dw.:	28.03.2023
		rev.:	
		rel.:	28.03.2023
		Material:	MASAO FUKUMORI
		Material:	SPHC-P
		Title:	THIRD ANGLE PROJECTION
		Name:	TSUYOSHI TAKAI
		Doc. No.:	5423380
		Doc. Type:	Part drawing
		Q.C.:	MD
		Mass:	0.54 kg
		Format:	A3
		Scale:	1:3
		Material:	SPHC-P
		Holder Number:	5423380
		Rev.:	001
		Type:	Sheet
		Sheet:	1/1

