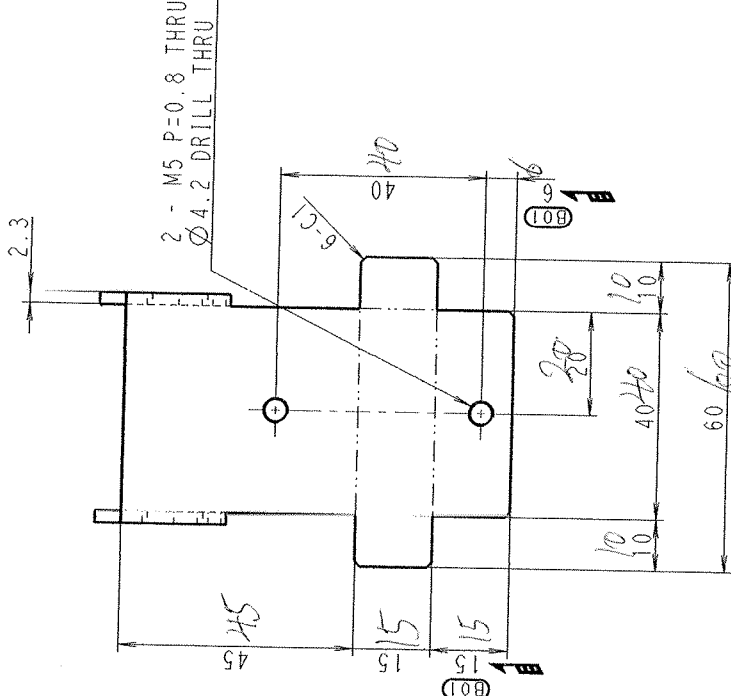
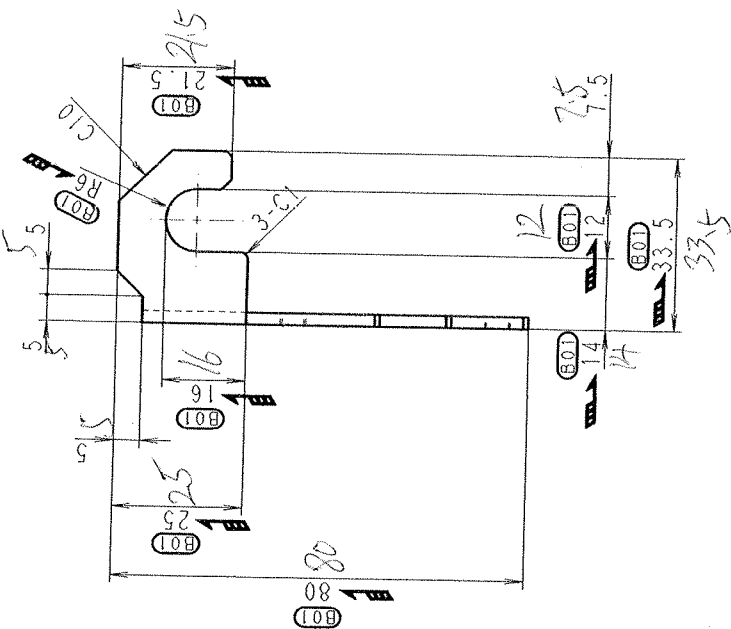
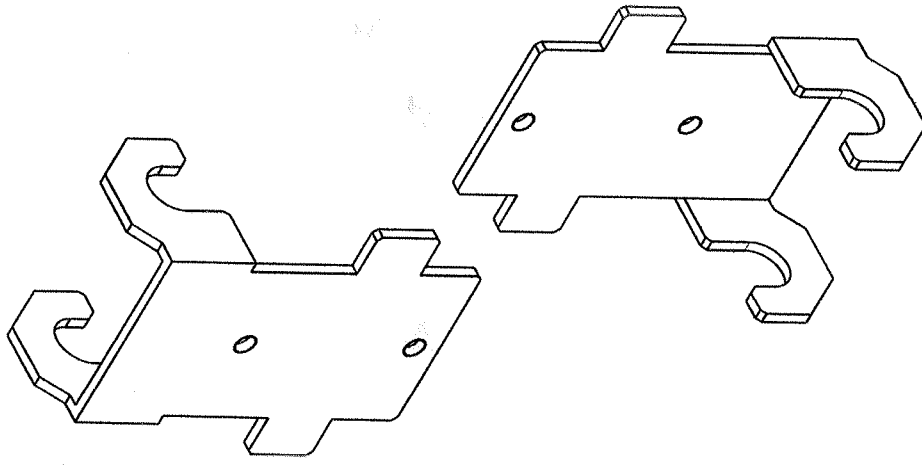


1 2 3 4 5 6 7 8 9 10 11 12 13 14 15 16 17 18 19 20 21 22 23 24 25 26 27 28 29 30 31 32 33 34 35 36 37 38 39 40 41 42 43 44 45 46 47 48 49 50 51 52 53 54 55 56 57 58 59 60 61 62 63 64 65 66 67 68 69 70 71 72 73 74 75 76 77 78 79 80 81 82 83 84 85 86 87 88 89 90 91 92 93 94 95 96 97 98 99 100

WARNING: EXPORT CONTROLLED - RESTRICTED - CONFIDENTIAL
 Property of DMG MORI. DISCLOSURE TO FOREIGN PERSON OR ENTRY PROHIBITED. Contact Export Control Dept. for disclosure procedures and approvals. Violations are subject to sanctions and termination.

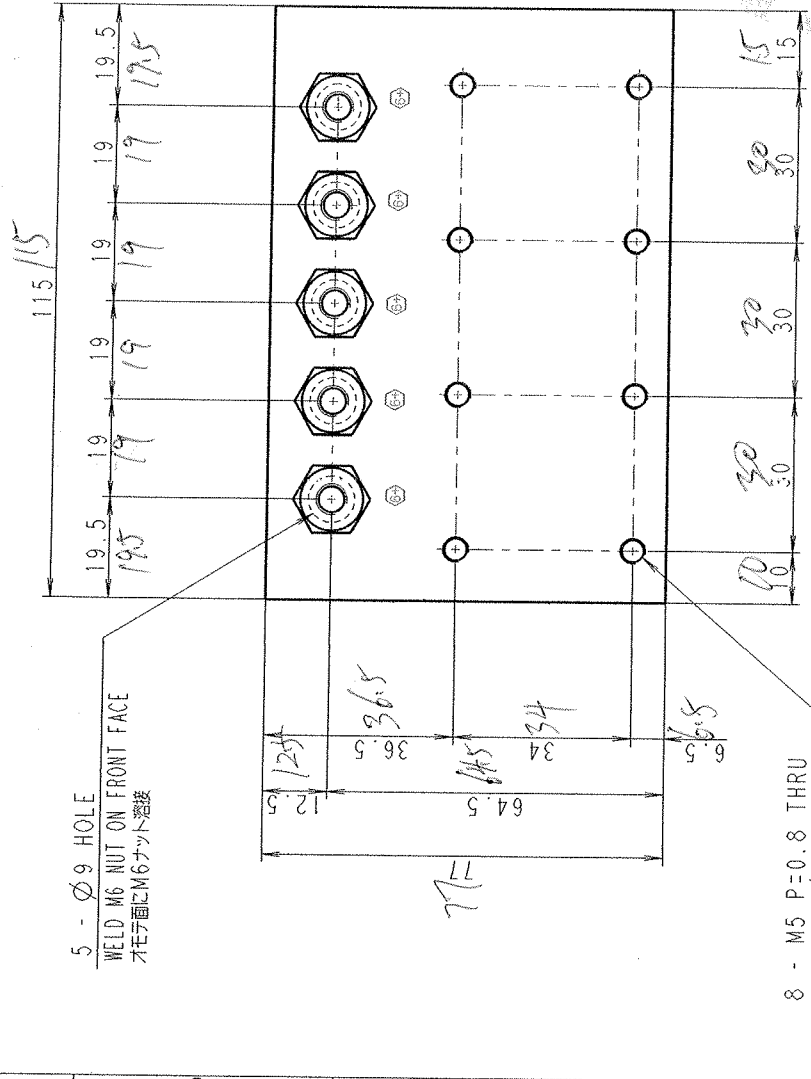


The property and copyright is certified to: DMG MORI SEIJI CO. -Copyright according to ISO 16016 is considered-		Part Number: H1605575B01		Name: NOBUYUKI MASAIKE		Document Type: Part drawing	
Rev. Change No.		Date (d.m.y.)		Pre: 07.09.2018		O.C.: MD	
1		15.12.2018		HIRONI MAGAHARA		Mass: 0.08 kg	
2						Format: A3	
3						Scale: 1:1	
4						Material: SPM-P	
5							
6							
7							
8							
9							
10							
11							
12							
13							
14							
15							
16							
17							
18							
19							
20							
21							
22							
23							
24							
25							
26							
27							
28							
29							
30							
31							
32							
33							
34							
35							
36							
37							
38							
39							
40							
41							
42							
43							
44							
45							
46							
47							
48							
49							
50							
51							
52							
53							
54							
55							
56							
57							
58							
59							
60							
61							
62							
63							
64							
65							
66							
67							
68							
69							
70							
71							
72							
73							
74							
75							
76							
77							
78							
79							
80							
81							
82							
83							
84							
85							
86							
87							
88							
89							
90							
91							
92							
93							
94							
95							
96							
97							
98							
99							
100							

DMG MORI
 THIRD ANGLE PROJECTION
 COVER
 Drawing Number: H1605575
 Rev.: B01.02
 Type: Sheet
 Sheet: 1/1

f=2.3
 NO BURR ALLOWED AT EDGE
 エッジ部はガスバグき
 TO BE BLACK OXIDE COATING (FERROSO FERRIC OXIDE COATING)
 黒染(四三酸化鉄皮処理)にて
 REFER TO H1502073
 参考図: H1502073

A B C D E F G H



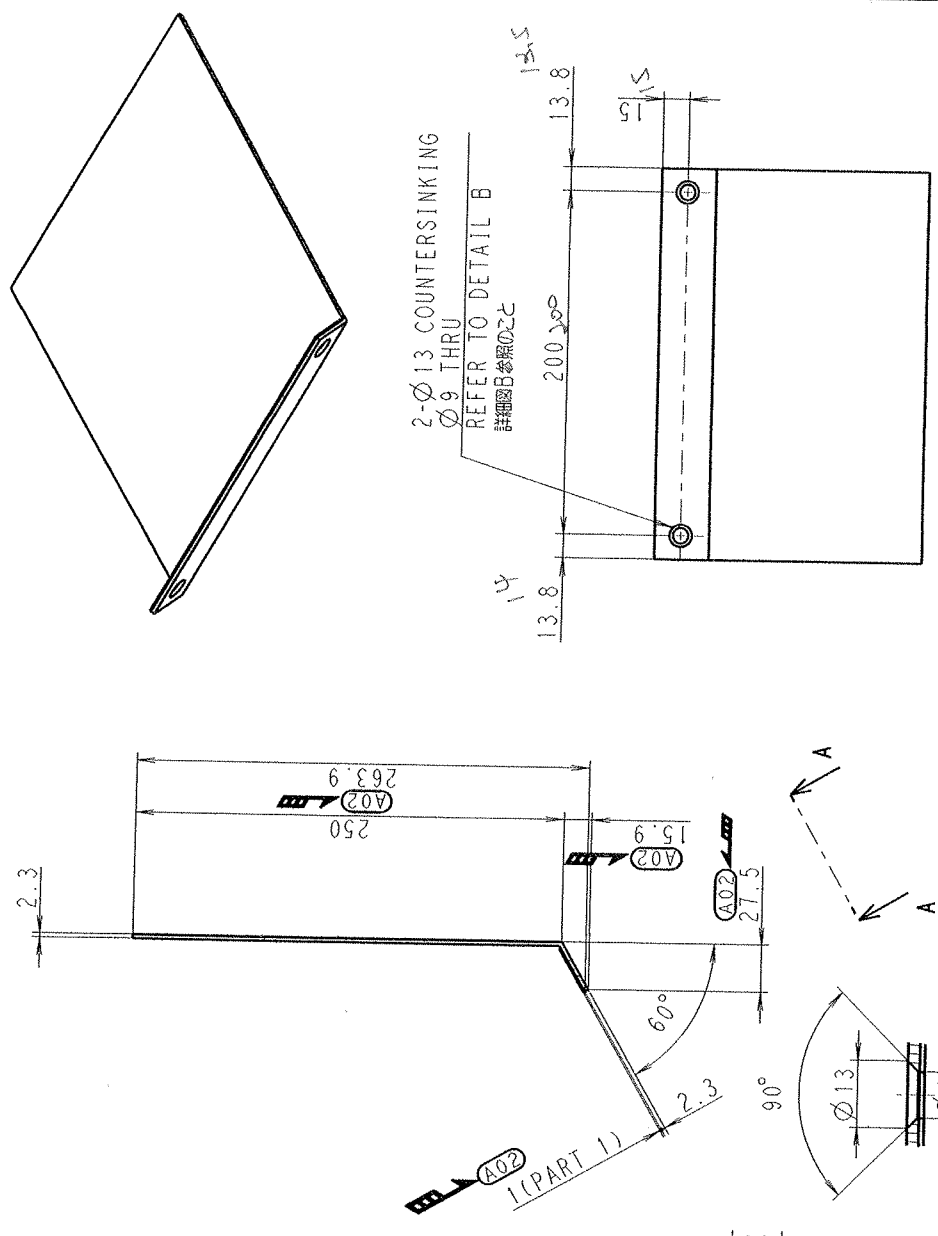
注意此处尺寸，
区分正反面

Rev.	No.	Change	Date	By	Part Number	Doc. Name	Doc. Type
401	TM017668	17.11.2017	TAKAHITO KAMITA	Changed by	H3101444A01	TAKAHITO KAMITA	Part drawing
The property and copyright is entitled to: DMG MORI SEIKI CO. Copy right according to ISO 16016 considered.					wf.	Date	Pr.
					drw.	17.11.2017	TAKAHITO KAMITA
					appr.	17.11.2017	HIROKI NAGAHARA
					rel.		
					Material: SPHC-P		
					THIRD ANGLE PROJECTION		
					DMG3224-W001		
					Drawing Number: H3101444 A01 02 1/1		
					Rev.: Type: Sheet: 1/1		

1=3.2
 NO BURR ALLOWED AT EDGE
 エッジ部はカネバリなきこと
 CORNER R2~3 WHERE NO INDICATION
 板の角はR2~3のこ
 TO BE BLACK OXIDE COATING (FERROFERRIC OXIDE COATING)
 黒染(四三酸化鉄皮膜処理)のこと
 BLACK PAINT IS ALSO ALLOWED
 黒塗装でも可

DMG MORI	DMG MORI	DMG MORI	DMG MORI	DMG MORI	DMG MORI	DMG MORI	DMG MORI	DMG MORI	DMG MORI
----------	----------	----------	----------	----------	----------	----------	----------	----------	----------

A B C D E F G H



VIEW A-A

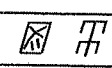
DETAIL B
1:1

t=2.3
 NO BURR ALLOWED AT EDGE
 エッジ部はかえりなきこと
 CORNER R2~3 WHERE NO INDICATION
 指定なき角部R2~3のこと
 TO BE BLACK OXIDE COATING (FERROFERRIC OXIDE COATING)
 黒染 (四三酸化鉄皮処理) のこと

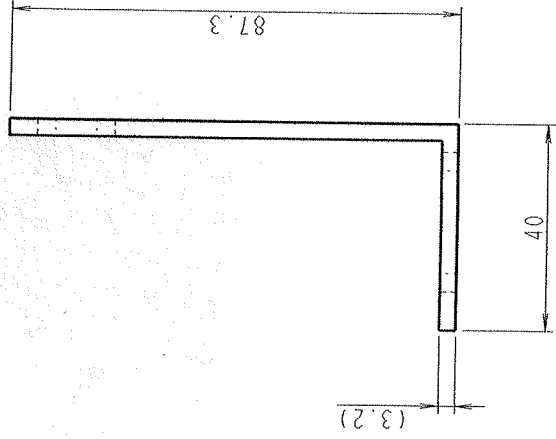
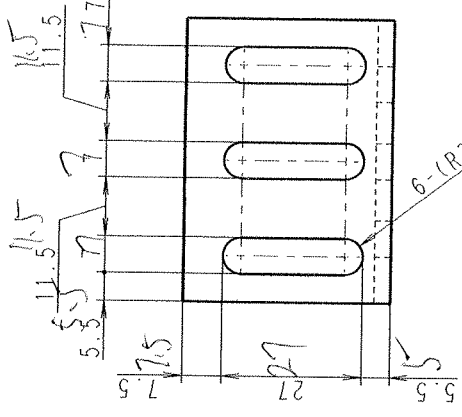
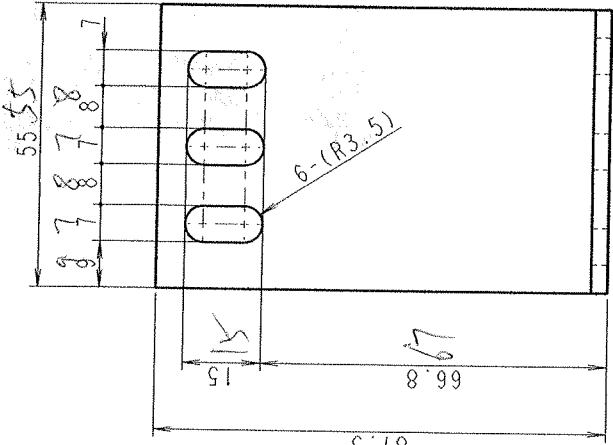
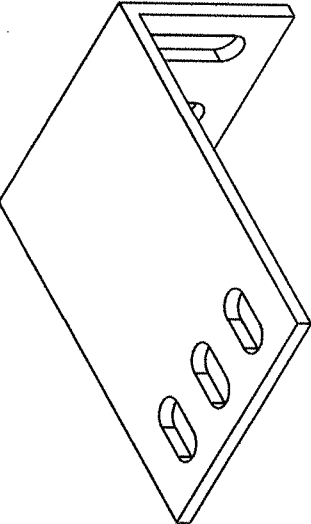
Rev.	Change No.	Date(s)	Changed by	Part Number	w.f.	Date(s)	Name	Pre:	Document type:
A02	MM242289	17.09.2018	KENICHI MIZUKOSHI	H1502951A02	05.01.2018	05.01.2018	KENICHI MIZUKOSHI	MD	Part drawing
A01	MM182074	05.01.2018	KENICHI MIZUKOSHI	H1502951A02	05.01.2018	05.01.2018	HIROKI HAGIHARA	1.15 kg	Format: A3 Scale: 1:3
Title: COVER Drawing Number: H1502951 A02 02 1/1 Rev.: Type: Sheet:				Material: SFHC-P THIRD ANGLE PROJECTION 					

管理文書

22.05.01



WARNING: EXPORT CONTROLLED - RESTRICTED - CONFIDENTIAL
 Property of DMG MORI. DISCLOSURE TO FOREIGN PERSON OR ENTITY PROHIBITED. Contact Export Control Dept. for disclosure procedures and approvals. Violations are subject to sanctions incl. termination.



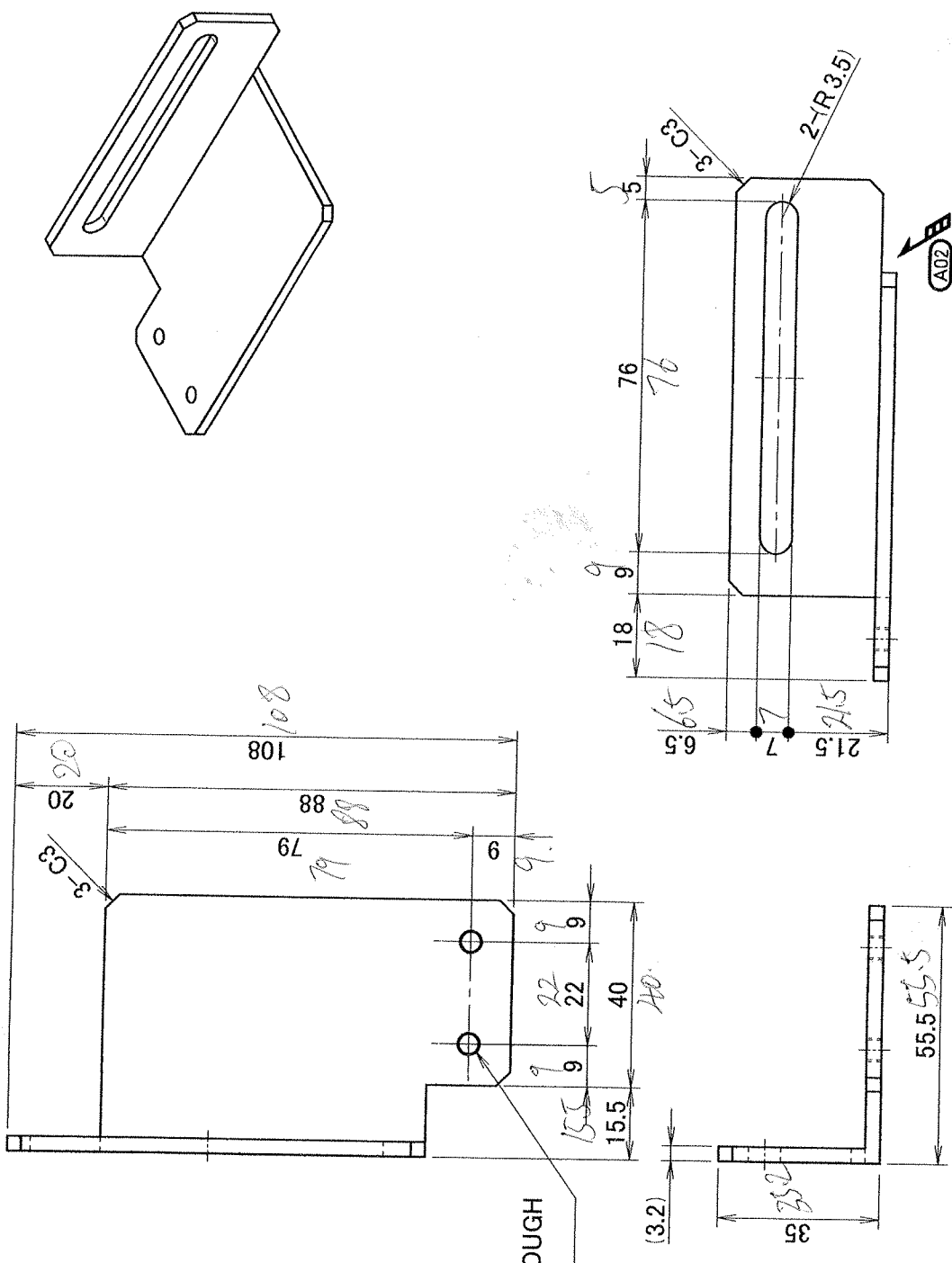
t = 3.2
 NO BURR ALLOWED AT EDGE
 エッジ部はカスリなきこと
 ROUND 2-3 WHERE NO INDICATION
 指示なき部位2~3のこと
 TO BE BLACK OXIDE COATING (FERROFERRIC OXIDE COATING)
 黒染(四三酸化鉄皮膜処理)のこと
 BLACK PAINT IS ALSO ALLOWED
 黒塗装でも可
 H1502563801 OR EQUIVALENT
 H1502563801の相当品

WARNING: EXPORT CONTROLLED - RESTRICTED - CONFIDENTIAL
 Property of DMG MORI. Disclosure to foreign person or entry prohibited. Contact Export Control Dept. for disclosure procedures and approvals. Violations are subject to sanctions incl. termination.

The property and copyright is entitled to: DMG MORI SEIKI CO --Copyright according to ISO 16016 consider--		Part Number	H1502817A01	w.f.	15.02.2017	Name	ISAO HIKITA	Pre:	MD	Document type:	Part drawing
Rev.	1	Change No.		rel.	15.02.2017	appr.	HIROKI HAGAHARA	Mass:	0.15 kg	Format:	A3 Scale: F:1
		DMG MORI	THIRD ANGLE PROJECTION		Material:		SPAG-P				
		Title:		MOUNTING PLATE							
		Drawing Number:		H1502817							
		Rev.:		A01 02							
		Sheet:		1/1							

項目	内容	数値(参考)
材料	(kg)	0.2
レーザ	(分)	2.6
タレハン	(分)	0.0
曲げ	(分)	0.8
溶接	(分)	0.0
マシニング	(分)	0.0
塗装	(㎡)	0.0
皮膜処理	(kg)	0.0
予想所要量	(個/月)	50

2-M5 P=0.8 THROUGH
 Ø4.3 DRILL



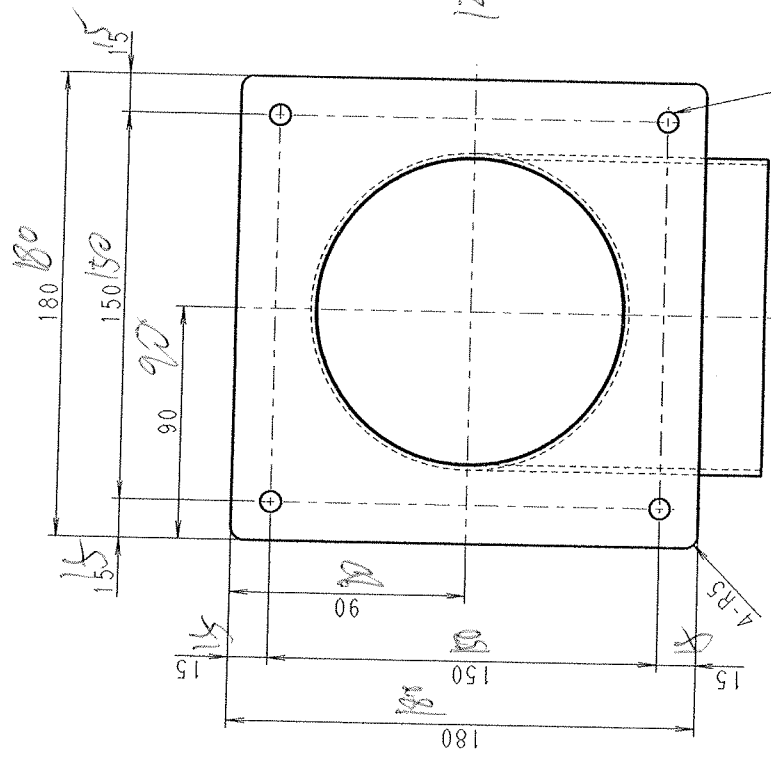
- t=3.2
 NO BURR ALLOWED AT EDGE
 エッジ部はかえりなきこと
 CORNER R2~3 WHERE NO INDICATION
 指示なきコーナー部はR2~3のこと
 BLACK OXIDE FINISH (BLACK PAINT IS ALLOWED)
 黒染(黒塗装可)
 ONLY PART DIFFER TO H1501233B01
 H1501233B01とは部が異なる
-
-
-
-

MACHINE	NLX2500/	*	*	*	*	*	MASS	0.20 kg
MODEL	500	*	*	*	*	*	MATERIAL	SPHC
OPERATED	ISAO HIKITA						Q. C.	MD
PROJECTION	SCALE	1:1					INITIAL DATE	13.04.23
TITLE	ANGLE						DRAWING NO.	H1501989 A02
DESIGNED	DATE	13.10.02						
DESIGNED	DATE	13.04.23						
APPROVED								

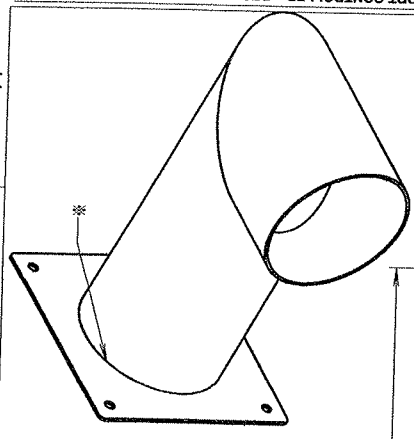
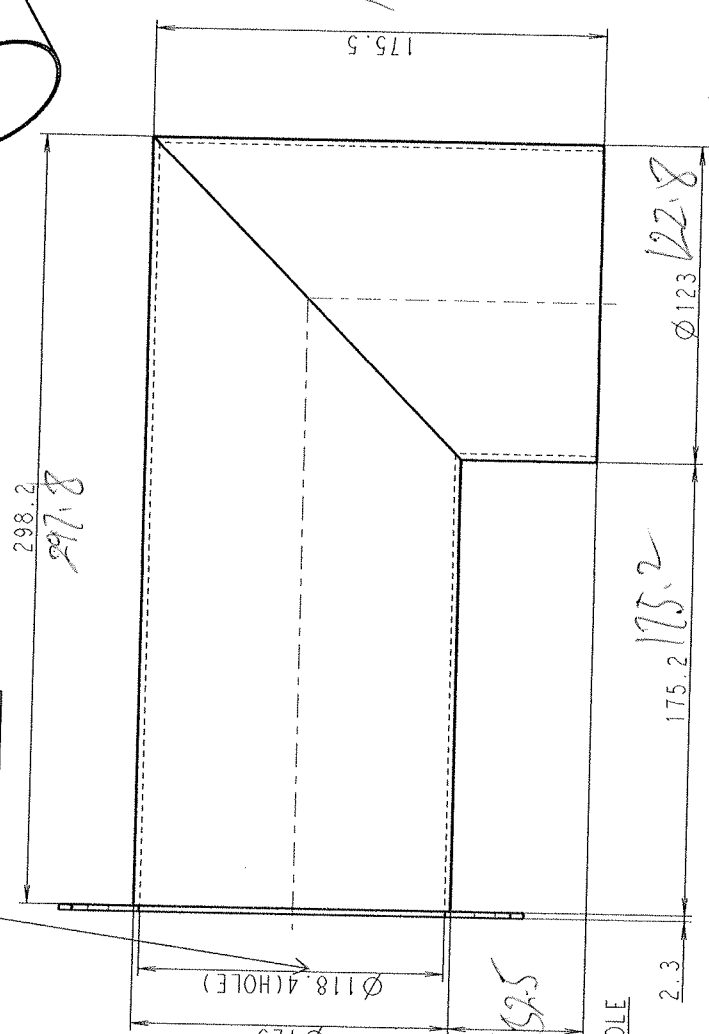
REV	DATE	DESCRIPTION	BY	CHK
A02	FC	13.10.02	ISAO HIKITA	HIROKI NAGAHARA
A01		13.04.23	HIROFUMI MORITA	TSUYOSHI FUJIMOTO

3205

A B C D E F G H
 1 2 3 4 5



管内径和开口改为115

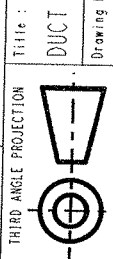


1=2.3

NO BURR ALLOWED AT EDGE
 エッジ部はかえりなきこと
 NO LEAKAGE OF WATER FROM WELD PART (SEALANT APPLICATION ALLOWED)
 溶接部が漏れぬこと (シーラント塗布可)
 PAINT COLOR: CALCITE WHITE (SMOOTH)
 塗装色: カルサイトホワイト (平滑)
 FINISH WITH SEALANT * MARKED WELDED AREA (WITH GOOD APPEARANCE)
 * 部は溶接の場合、シーラントで仕上げること (美観を考慮)

密封焊接

The property and copyright is entirely to: DMG MORI SEIKI CO - Copyright according to ISO 10181b consider -		Part Number: H1406021A01	Wf. Date (d.m.y): drg. 01.09.2020 appr. 01.09.2020	Name: KUNIHRO YAMAJI MASAO FUKUMORI	Proc: MB	Document type: Part drawing
Rev. No.	Change No.	Date (d.m.y)	Title: DUCT			
A01	HW246293	01.09.2020	Drawing Number: H1406021			
Changed by: KUNIHRO YAMAJI			Rev.: A01 02			
Type: Sheet:			Type: Sheet:			
1/1			1/1			



22.04.30

管理文書

WARNING: EXPORT CONTROLLED - RESTRICTED - CONFIDENTIAL
 Property of DMG MORI. Disclosure to foreign person or entity prohibited. Contact Export
 Control Dept. for disclosure procedures and approvals. Violators are subject to sanctions incl. termination.