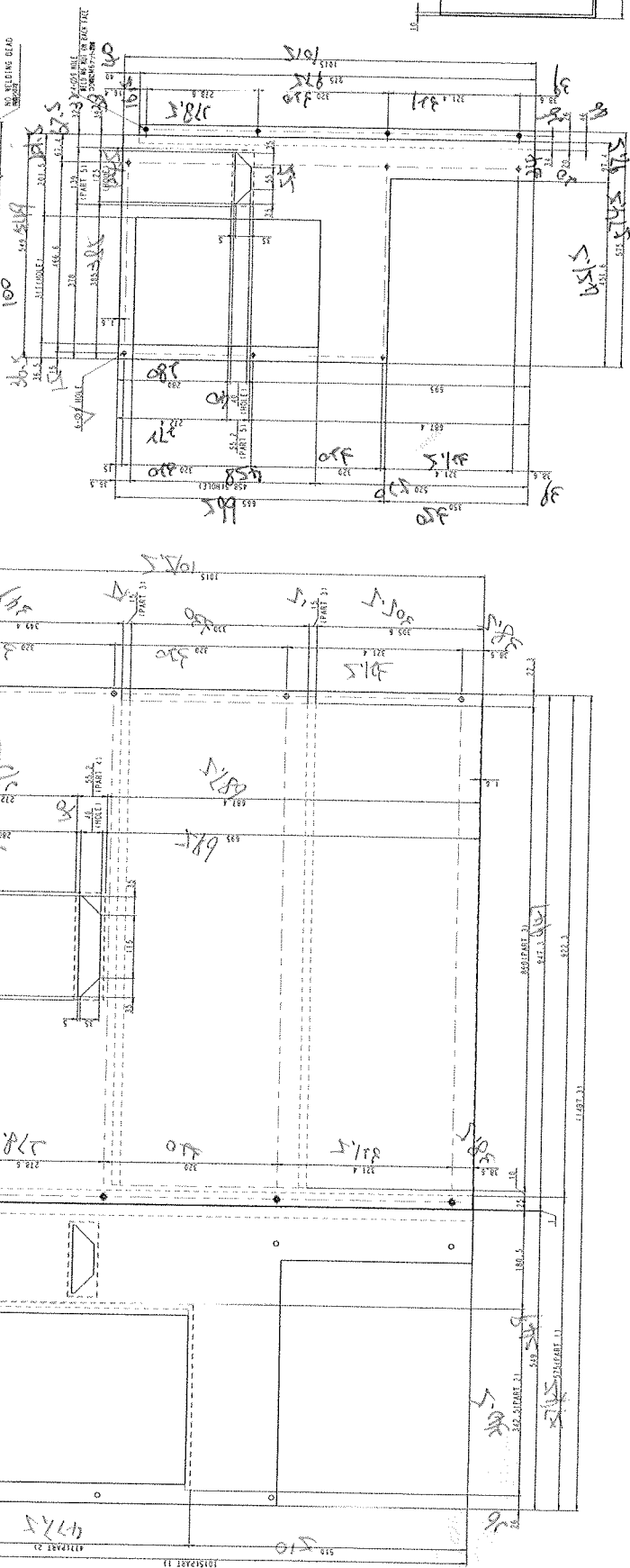
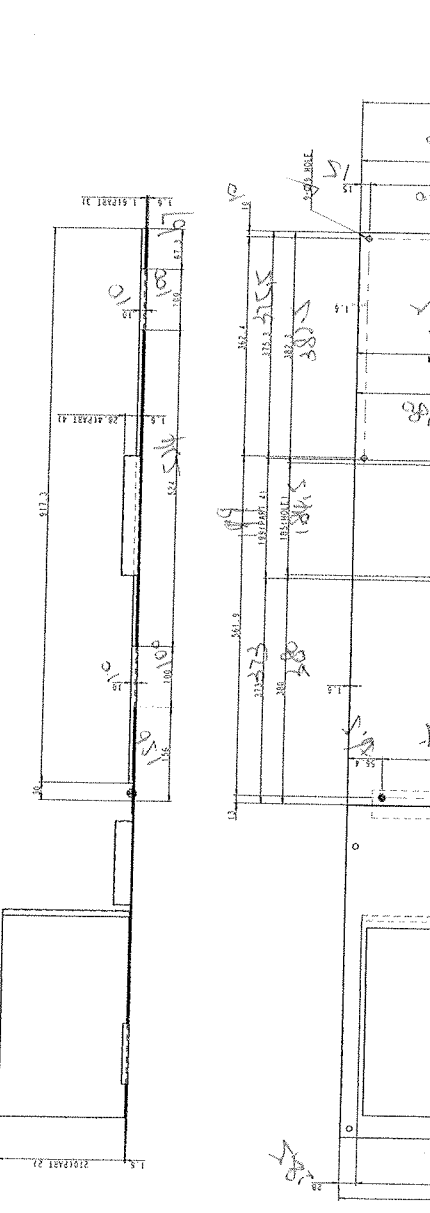
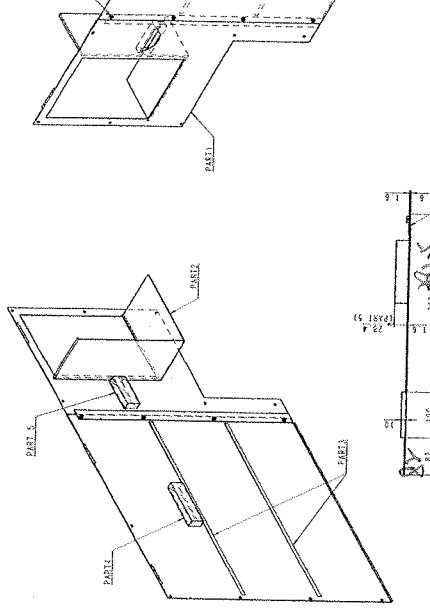


ATTENTION: IN THE ASSEMBLY OF THIS UNIT, THE SPACERS MUST BE PLACED BETWEEN SOCKET AND BUSHES TO PREVENT SHORTS.



PART 2(I=1.6, I=1.5, IPC)

PART 1(I=1.6, I=1.4, IPC)

PART 4(I=1.6, S=1.2, IPC)

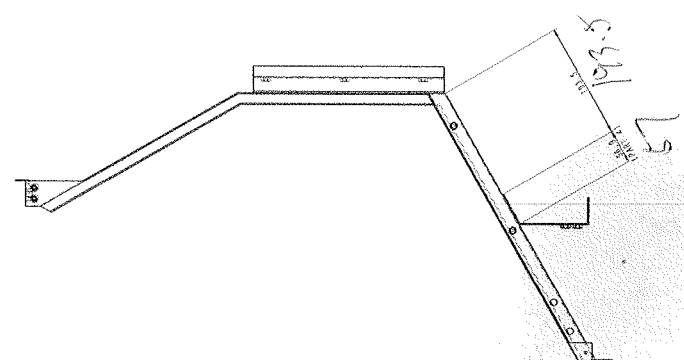
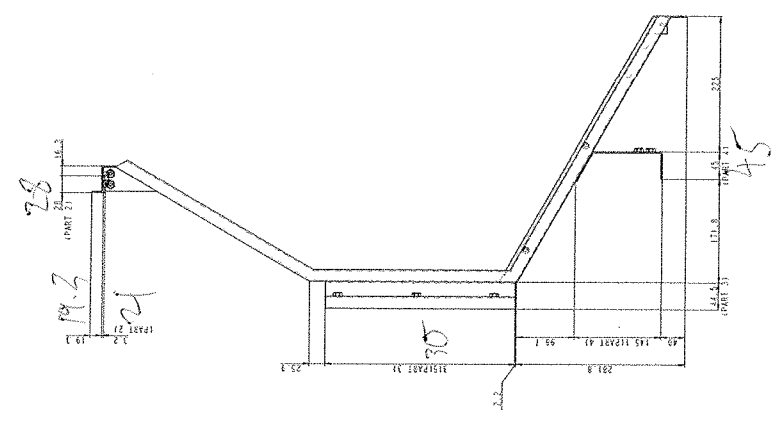
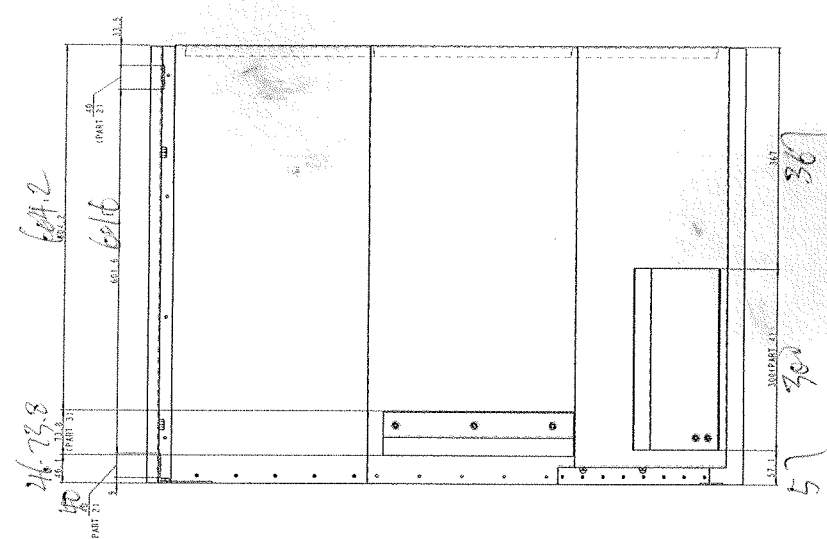
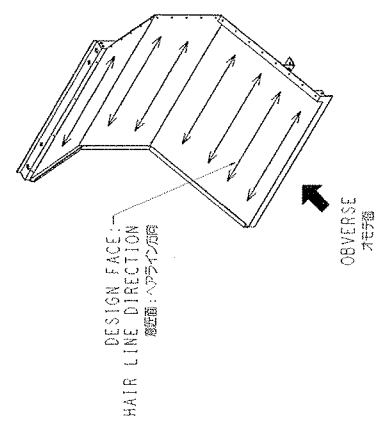
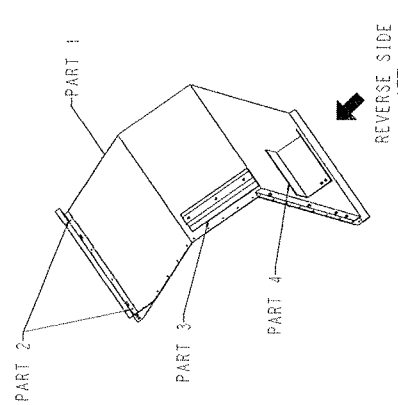
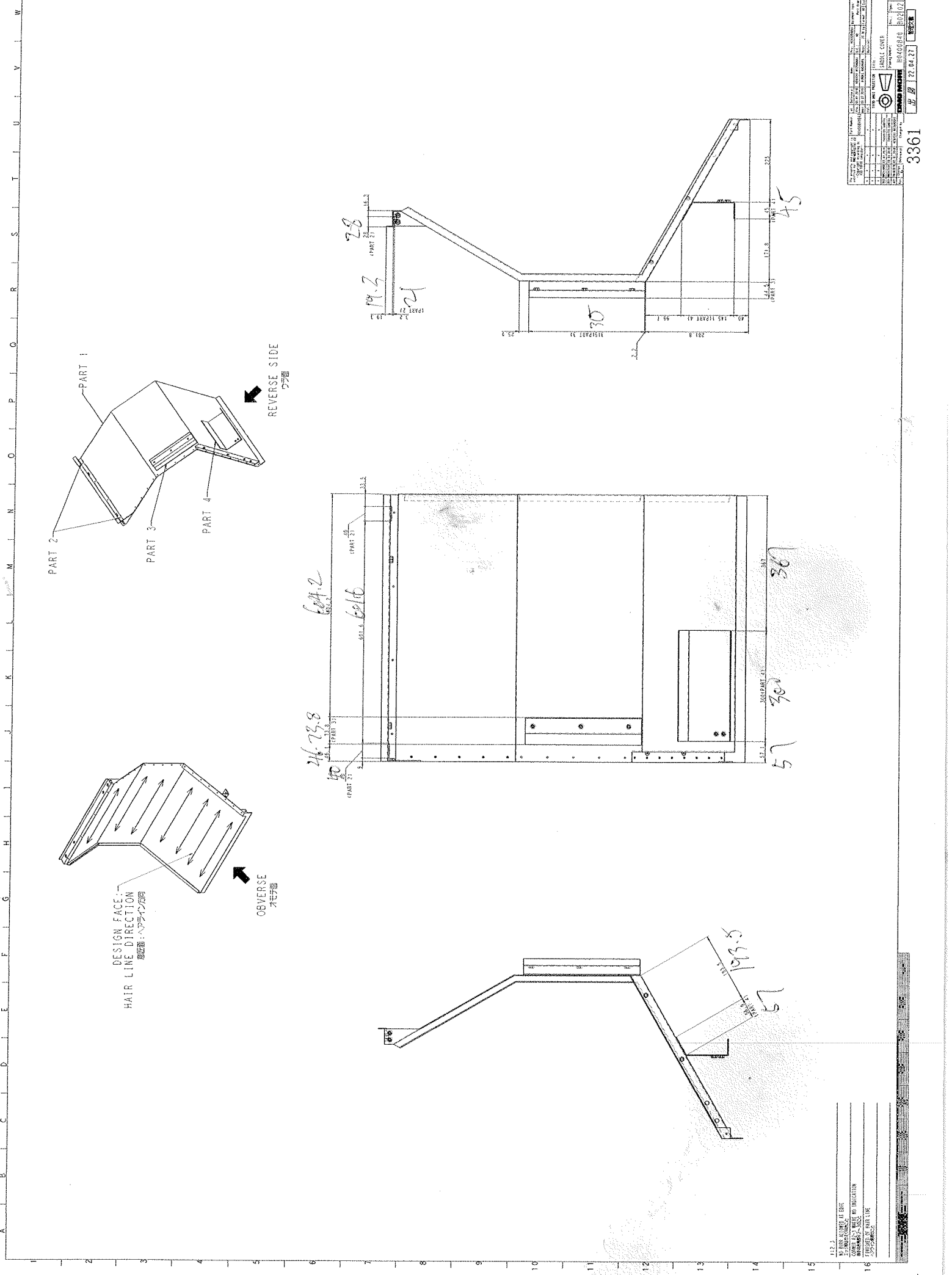
PART 5(I=1.6, S=1.2, IPC)

PART 3(I=1.6, S=1.1, 2PCS)

1.1.1.6  
DO NOT ALLOWED IN USE  
COMPLETELY WASTE TO PROTECT  
PROPERTY, WECS  
DO NOT ALLOWED TO BE REUSED  
DO NOT ALLOWED TO BE REUSED

MINOR REVISION CHANGE  
REVISION

REV	DATE	BY	CHK	DESCRIPTION
1				
2				
3				
4				
5				
6				
7				
8				
9				
10				



1:1 2.2  
W: HORN AIR LINE AT EDGE  
CONTOUR CURVE WITH INDICATION  
ORIGINARY'S NAME  
FINISHING OF THIS ITEM  
TO BE DETERMINED.

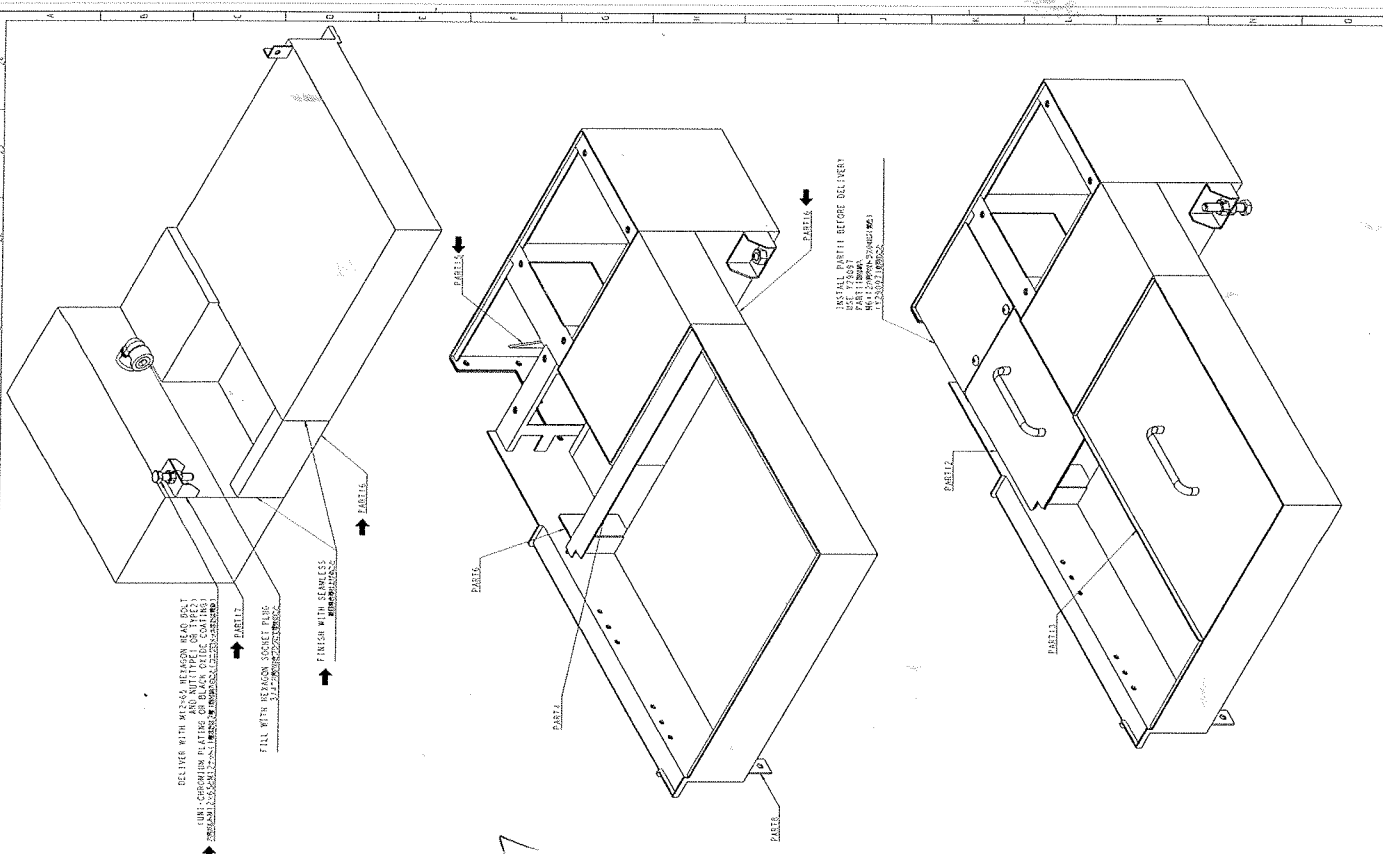
SAKAI ENGINEERING CO., LTD. 1-1-1, HIRAKAWA, SUITAMA-CITY, SAITAMA-PREF., 349-0292, JAPAN TEL: 049-251-3111 FAX: 049-251-3112 E-MAIL: info@sakai-engineering.com		NO.	DATE
DESIGN			
DRAWING			
CHECK			
APPROVAL			
SAKAI ENGINEERING			
NO. 122.04.27	3361	BOA06049	BOA06142



16

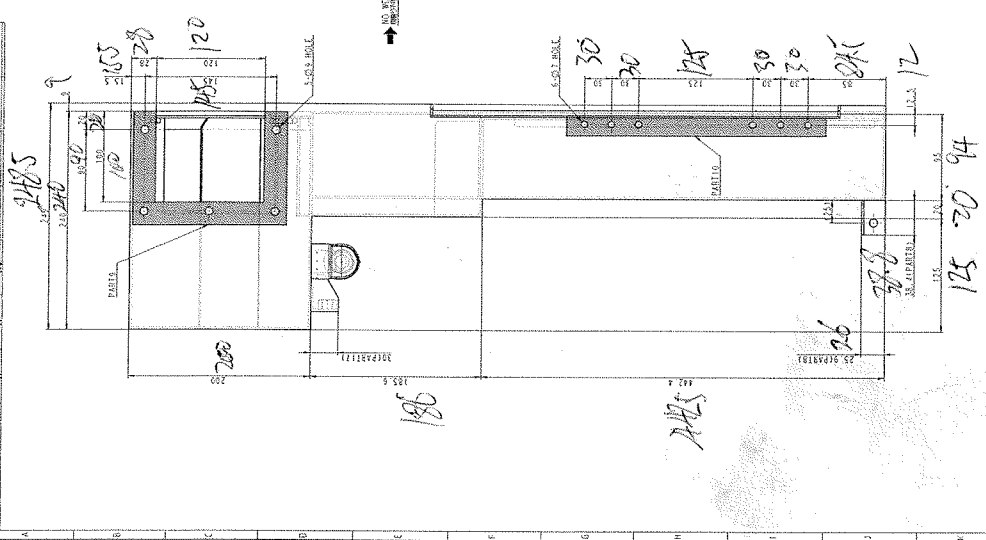
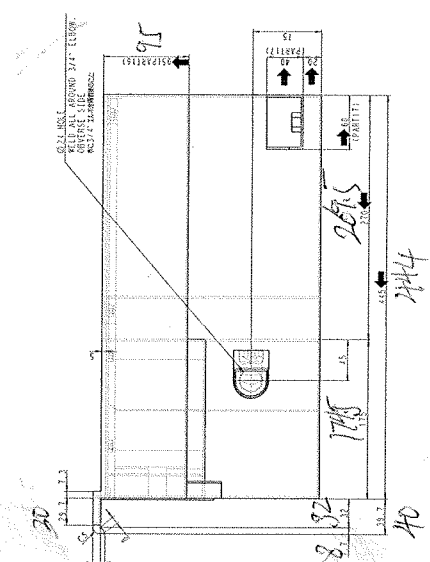
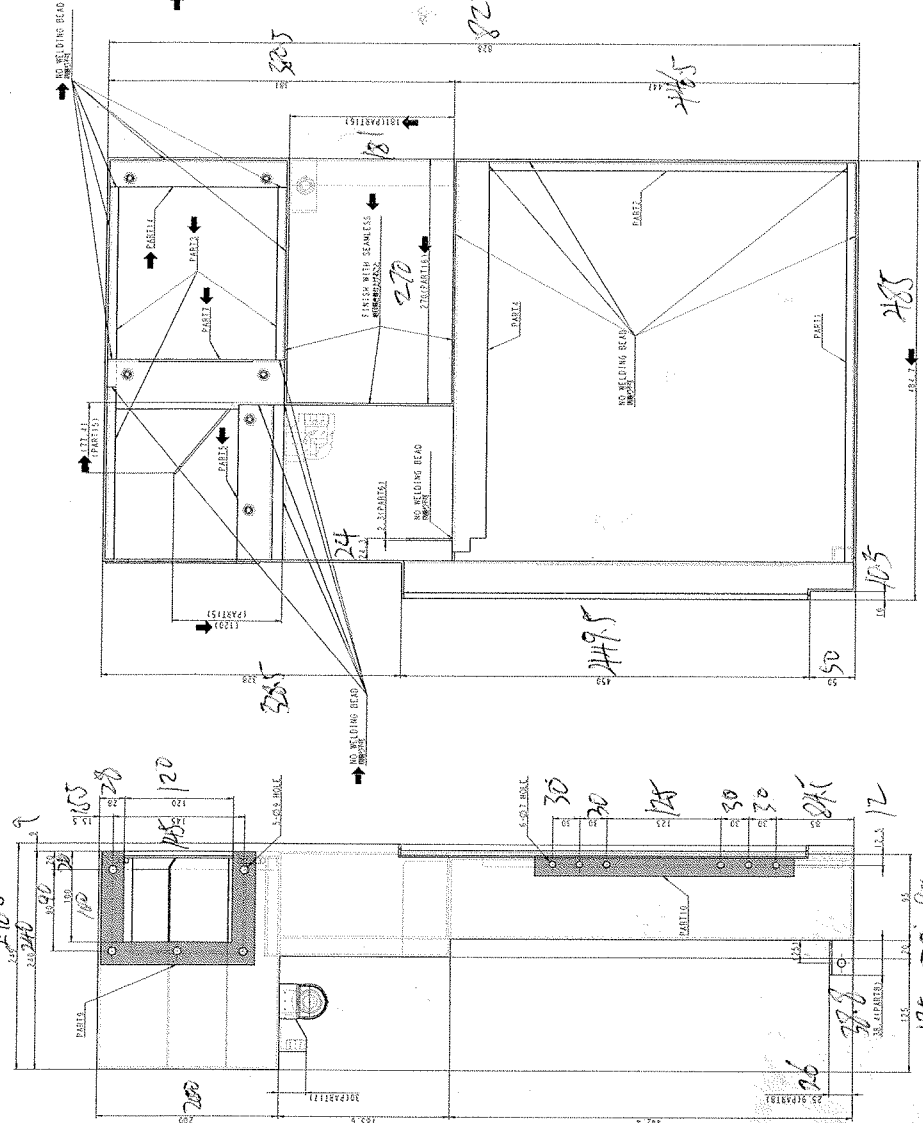




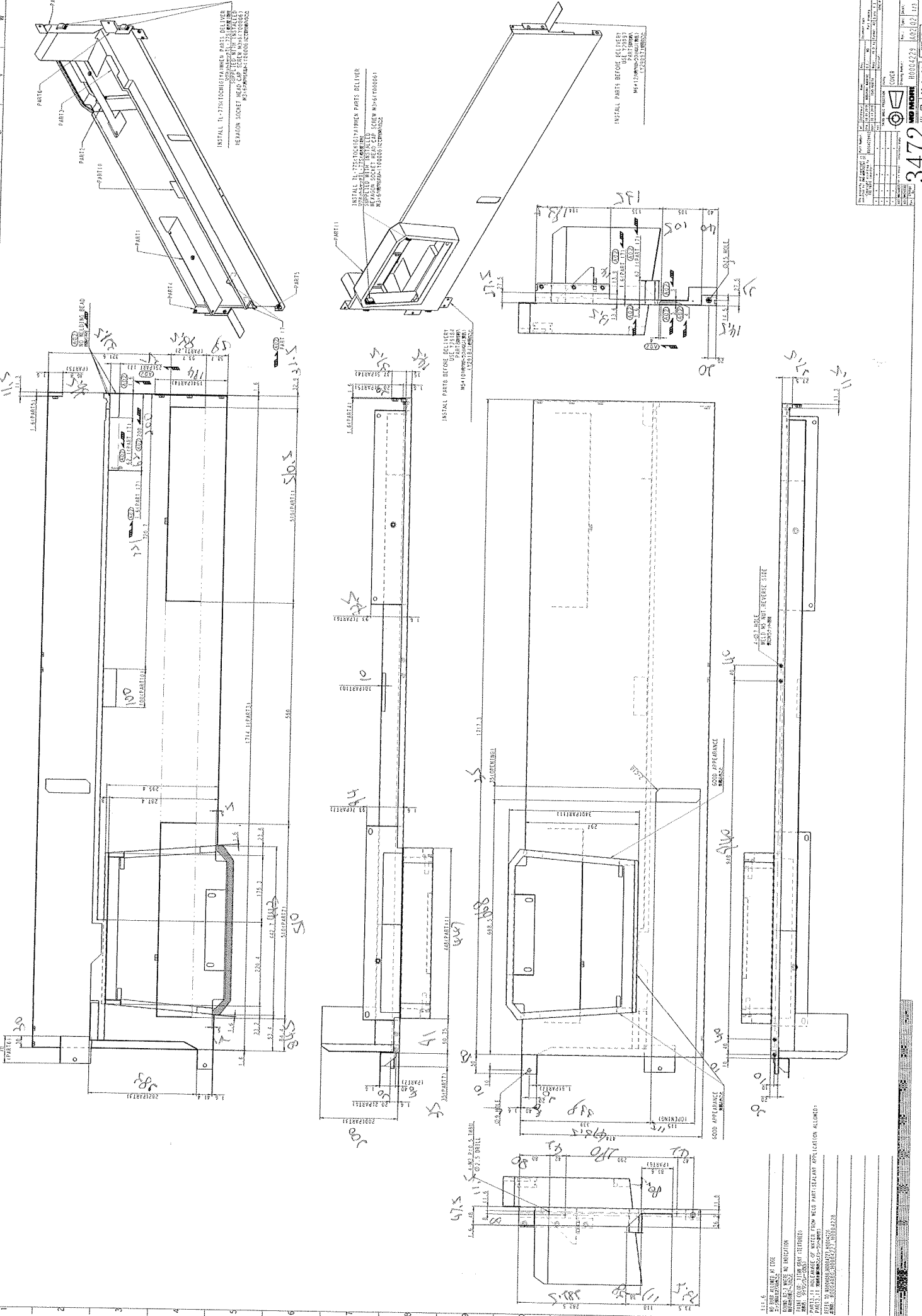


KUBOTA	
TYPE	NO.
MANUFACTURE	DATE
DELIVERY	NO.
REVISION	NO.
REVISION	NO.
REVISION	NO.
REVISION	NO.
REVISION	NO.

3460



NOTHING SET IN PLACE UNTIL ALL OTHER PARTS AND MATERIALS ARE IN PLACE AND THE WALL IS COMPLETELY ASSEMBLED.  
ONLY QUALIFIED PANEL OFFICERS SHOULD BE PERFORMING THIS WORK.  
KUBOTA



DATE	12.04.26
DESIGN	3472
CHECK	100
APPR.	
PROJ.	
CLIENT	
CONTRACT	
DESCRIPTION	
SCALE	
BY	
CHECKED	
DATE	
PROJECT	
NO.	
SCALE	
BY	
CHECKED	
DATE	

1.1.1.5  
 ALL DIMENSIONS ARE IN MILLIMETERS UNLESS OTHERWISE SPECIFIED  
 PARTS TO BE DELIVERED WITH THE FOLLOWING TOOLS  
 1.1.1.5  
 ALL DIMENSIONS ARE IN MILLIMETERS UNLESS OTHERWISE SPECIFIED  
 PARTS TO BE DELIVERED WITH THE FOLLOWING TOOLS