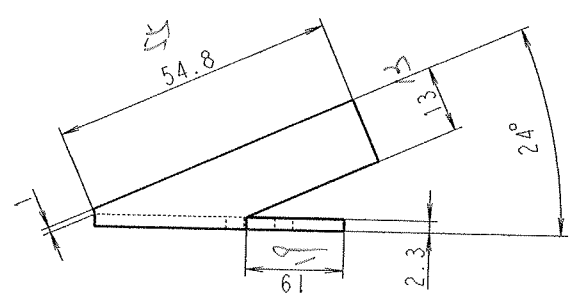


7	100% 検査済	100%
6	100% 検査済	100%
5	100% 検査済	100%
4	100% 検査済	100%
3	100% 検査済	100%
2	100% 検査済	100%
1	100% 検査済	100%



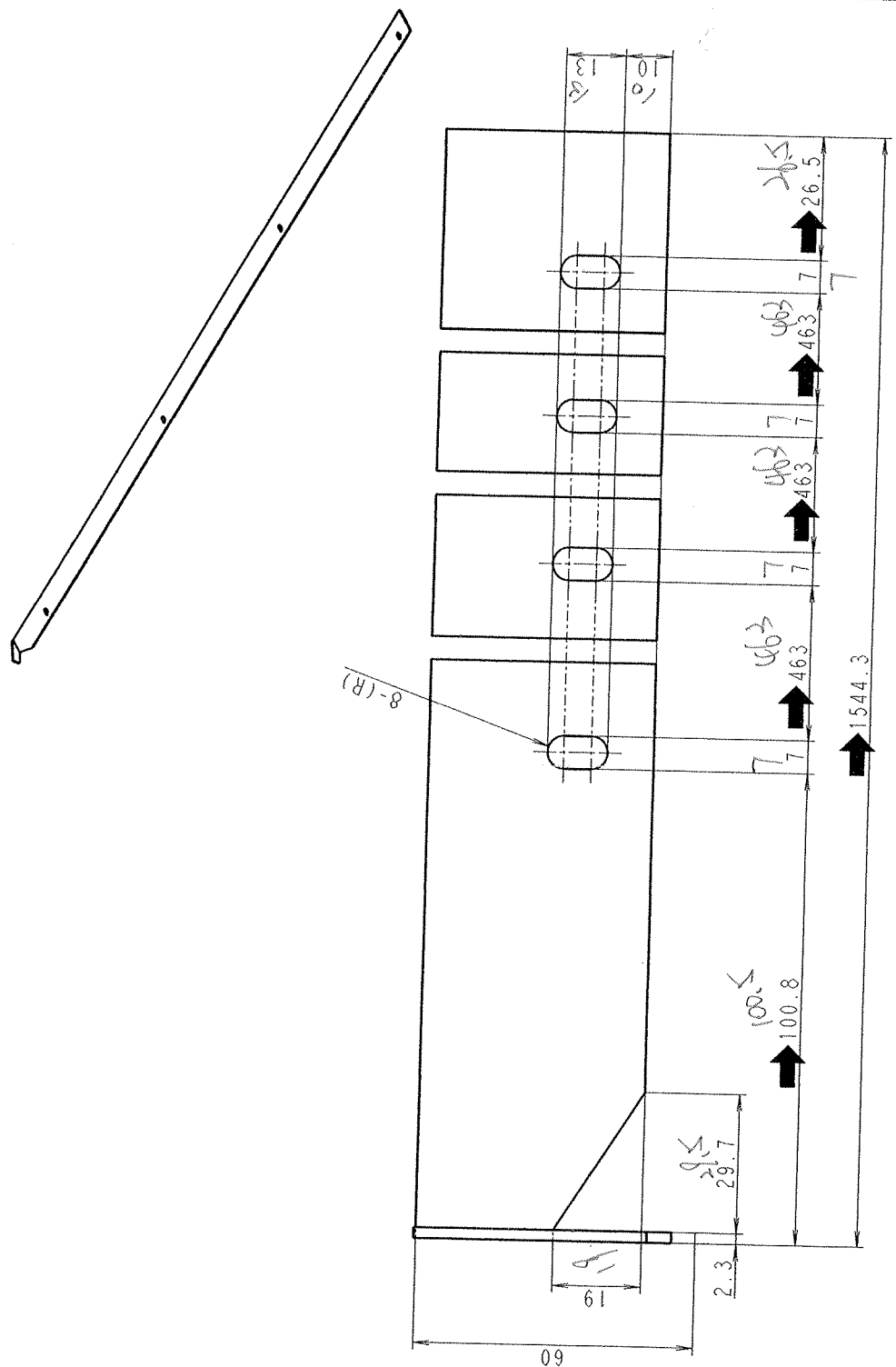
t=1.6

NO BURR ALLOWED AT EDGE
 エッジ部はかえりなきこと

CORNER R0.5 WHERE NO INDICATION
 指示なき角部R0.5のこと

PAINT COLOR: TITAN GRAY (SMOOTH)
 塗装色: タイタングレー(平滑)

ONLY INDICATED PARTS DIFFER FROM H0504917B02
 H0504917B02 と 部のみ異なる

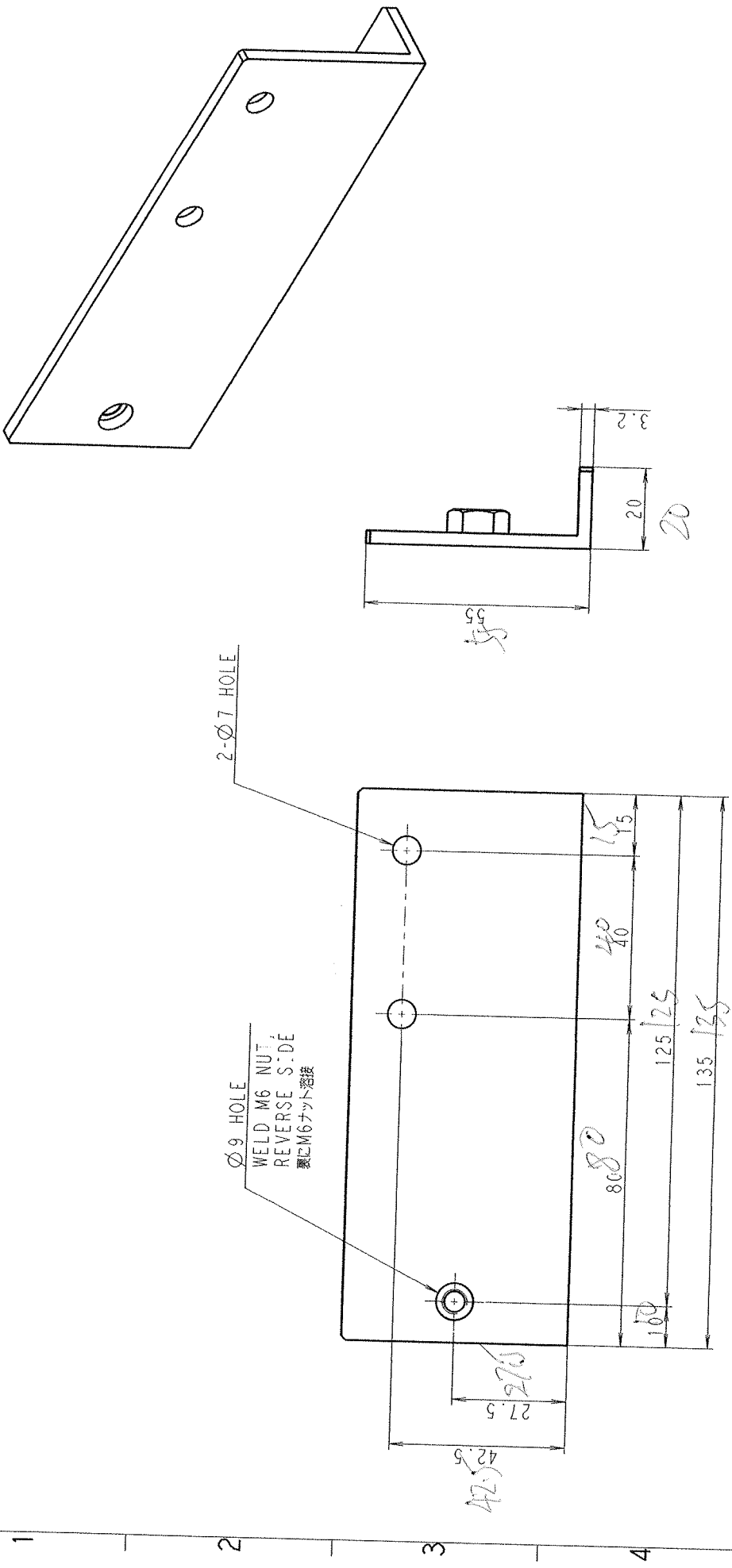


The property and copyright is notified for DMG MORI SEIKI CO. Ltd. All rights reserved according to ISO 16116 consideration.		Part Number.	5413820	Material	MASAO FUKUMORI	Material	SPHCP
wf. (Date/Time)	Name	Doc. No.	Q.C. No.	Mass	1.35 kg	Format	A3 Scale: 1:1
drw. 22.02.2023	HOBUKI MASAIKE	rev.	MD				
rel. 20.02.2023	MASAO FUKUMORI	THIRD ANGLE PROJECTION		Title			
				CABIN-S - S-CABIN-4-1-1			
				Cabin subcomponent			
				Drawing Number: 5413820			
				Rev.: 001			
				Type: 1/1			
				Sheet: 1/1			

Property of DMG MORI. DISCLOSURE TO FOREIGN PERSON OR ENTITY PROHIBITED. Contact Export Control Dept. for disclosure procedures and approvals. Violations are subject to sanctions incl. termination.
WARNING: EXPORT CONTROLLED - RESTRICTED - CONFIDENTIAL

試作 管理文書 22.04.26

A B C D E F G H



$\phi 9$ HOLE
 WELD M6 NUT;
 REVERSE SIDE
 裏にM6ナット溶接

$2-\phi 7$ HOLE

t=3.2

NO BURR ALLOWED AT EDGE
 エッジ部はかえりなきこと

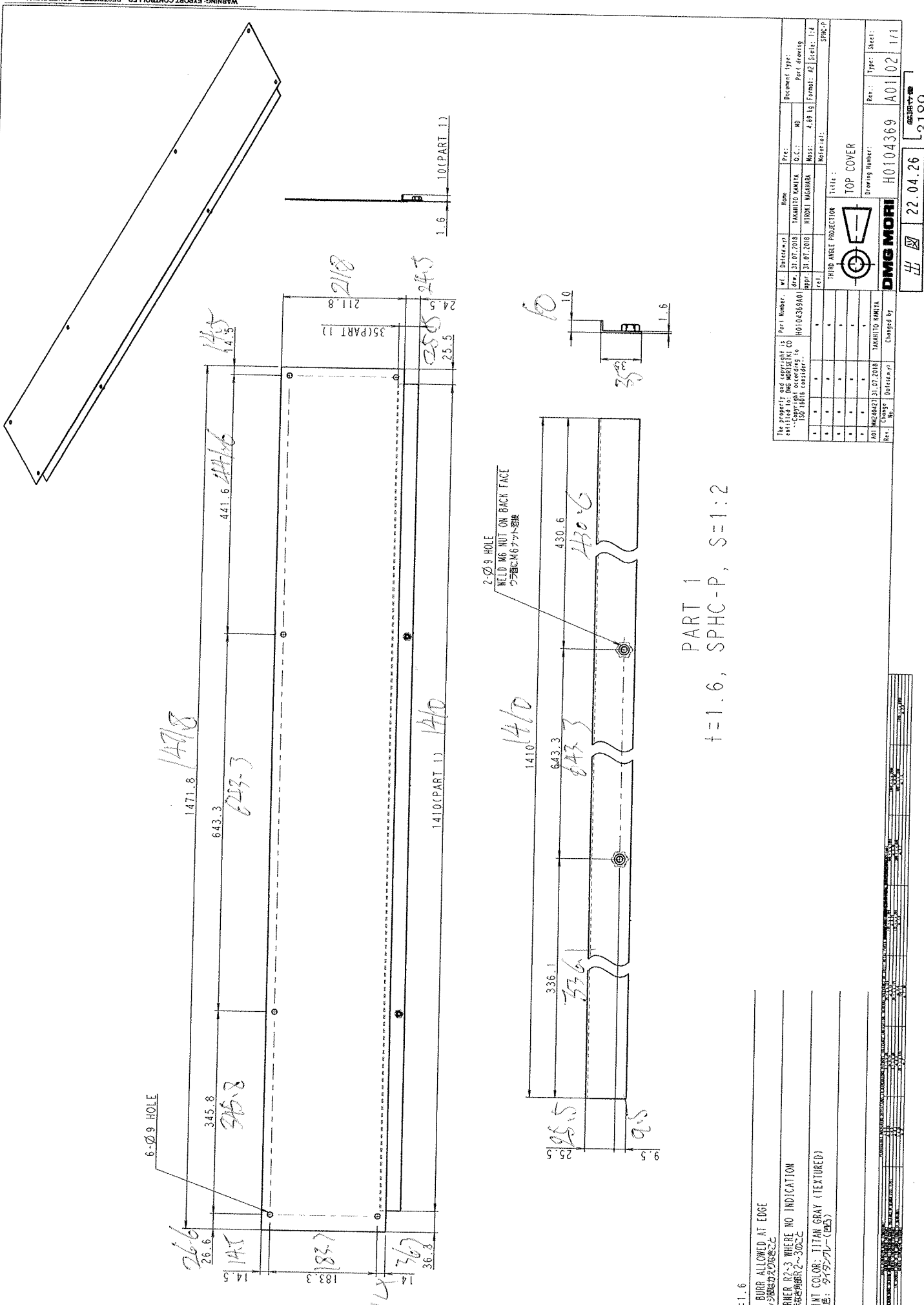
CORNER C1 WHERE NO INDICATION
 指示なき角部C1のこと

PAINT COLOR: BLACK
 塗装色: 黒色

The property and copyright is entitled to: DMG MORI SEIKI CO. --Copyright according to ISO 16016 consider--		Part Number: H0004079A01	DocId: 17.11.2017	Name: NOBUYUKI MASAIKE	Pre: O.C.:	Document type: Part drawing
Rev.	Change No.	Date	By	Material	Mass	Scale
A01	DM181773	17.11.2017	NOBUYUKI MASAIKE	SPNC-P	0.25 kg	1:1
Changed by		Title: COVER				
Drawing Number: H0004079		Rev.: A01		Type: 1/1		Sheet: 1/1

DMG MORI	DMG MORI SEIKI CO.	DMG MORI SEIKI CO.	DMG MORI SEIKI CO.	DMG MORI SEIKI CO.	DMG MORI SEIKI CO.	DMG MORI SEIKI CO.	DMG MORI SEIKI CO.	DMG MORI SEIKI CO.	DMG MORI SEIKI CO.
----------	--------------------	--------------------	--------------------	--------------------	--------------------	--------------------	--------------------	--------------------	--------------------

3184



PART 1
t=1.6, SPHC-P, S=1:2

t=1.6
NO BURR ALLOWED AT EDGE
エッジのバリを許さず
CORNER R2~3 WHERE NO INDICATION
角部R2~3に指示がない場合
PAINT COLOR: TITAN GRAY (TEXTURED)
塗色: タイタングレー(肌立)

Part Number	Part Name	Doc. No.	Doc. Type
H0104369A01	TAMARITO MANITA	4.49.13	Part drawing
Rev. No.	Rev. Date	Rev. Description	Rev. Type
1	21.07.2018	4.49.13	Part drawing
2	21.07.2018	4.49.13	Part drawing
3	21.07.2018	4.49.13	Part drawing
4	21.07.2018	4.49.13	Part drawing
5	21.07.2018	4.49.13	Part drawing
6	21.07.2018	4.49.13	Part drawing
7	21.07.2018	4.49.13	Part drawing
8	21.07.2018	4.49.13	Part drawing
9	21.07.2018	4.49.13	Part drawing
10	21.07.2018	4.49.13	Part drawing
11	21.07.2018	4.49.13	Part drawing
12	21.07.2018	4.49.13	Part drawing
13	21.07.2018	4.49.13	Part drawing
14	21.07.2018	4.49.13	Part drawing
15	21.07.2018	4.49.13	Part drawing
16	21.07.2018	4.49.13	Part drawing
17	21.07.2018	4.49.13	Part drawing
18	21.07.2018	4.49.13	Part drawing
19	21.07.2018	4.49.13	Part drawing
20	21.07.2018	4.49.13	Part drawing
21	21.07.2018	4.49.13	Part drawing
22	21.07.2018	4.49.13	Part drawing
23	21.07.2018	4.49.13	Part drawing
24	21.07.2018	4.49.13	Part drawing
25	21.07.2018	4.49.13	Part drawing
26	21.07.2018	4.49.13	Part drawing
27	21.07.2018	4.49.13	Part drawing
28	21.07.2018	4.49.13	Part drawing
29	21.07.2018	4.49.13	Part drawing
30	21.07.2018	4.49.13	Part drawing
31	21.07.2018	4.49.13	Part drawing
32	21.07.2018	4.49.13	Part drawing
33	21.07.2018	4.49.13	Part drawing
34	21.07.2018	4.49.13	Part drawing
35	21.07.2018	4.49.13	Part drawing
36	21.07.2018	4.49.13	Part drawing
37	21.07.2018	4.49.13	Part drawing
38	21.07.2018	4.49.13	Part drawing
39	21.07.2018	4.49.13	Part drawing
40	21.07.2018	4.49.13	Part drawing
41	21.07.2018	4.49.13	Part drawing
42	21.07.2018	4.49.13	Part drawing
43	21.07.2018	4.49.13	Part drawing
44	21.07.2018	4.49.13	Part drawing
45	21.07.2018	4.49.13	Part drawing
46	21.07.2018	4.49.13	Part drawing
47	21.07.2018	4.49.13	Part drawing
48	21.07.2018	4.49.13	Part drawing
49	21.07.2018	4.49.13	Part drawing
50	21.07.2018	4.49.13	Part drawing
51	21.07.2018	4.49.13	Part drawing
52	21.07.2018	4.49.13	Part drawing
53	21.07.2018	4.49.13	Part drawing
54	21.07.2018	4.49.13	Part drawing
55	21.07.2018	4.49.13	Part drawing
56	21.07.2018	4.49.13	Part drawing
57	21.07.2018	4.49.13	Part drawing
58	21.07.2018	4.49.13	Part drawing
59	21.07.2018	4.49.13	Part drawing
60	21.07.2018	4.49.13	Part drawing
61	21.07.2018	4.49.13	Part drawing
62	21.07.2018	4.49.13	Part drawing
63	21.07.2018	4.49.13	Part drawing
64	21.07.2018	4.49.13	Part drawing
65	21.07.2018	4.49.13	Part drawing
66	21.07.2018	4.49.13	Part drawing
67	21.07.2018	4.49.13	Part drawing
68	21.07.2018	4.49.13	Part drawing
69	21.07.2018	4.49.13	Part drawing
70	21.07.2018	4.49.13	Part drawing
71	21.07.2018	4.49.13	Part drawing
72	21.07.2018	4.49.13	Part drawing
73	21.07.2018	4.49.13	Part drawing
74	21.07.2018	4.49.13	Part drawing
75	21.07.2018	4.49.13	Part drawing
76	21.07.2018	4.49.13	Part drawing
77	21.07.2018	4.49.13	Part drawing
78	21.07.2018	4.49.13	Part drawing
79	21.07.2018	4.49.13	Part drawing
80	21.07.2018	4.49.13	Part drawing
81	21.07.2018	4.49.13	Part drawing
82	21.07.2018	4.49.13	Part drawing
83	21.07.2018	4.49.13	Part drawing
84	21.07.2018	4.49.13	Part drawing
85	21.07.2018	4.49.13	Part drawing
86	21.07.2018	4.49.13	Part drawing
87	21.07.2018	4.49.13	Part drawing
88	21.07.2018	4.49.13	Part drawing
89	21.07.2018	4.49.13	Part drawing
90	21.07.2018	4.49.13	Part drawing
91	21.07.2018	4.49.13	Part drawing
92	21.07.2018	4.49.13	Part drawing
93	21.07.2018	4.49.13	Part drawing
94	21.07.2018	4.49.13	Part drawing
95	21.07.2018	4.49.13	Part drawing
96	21.07.2018	4.49.13	Part drawing
97	21.07.2018	4.49.13	Part drawing
98	21.07.2018	4.49.13	Part drawing
99	21.07.2018	4.49.13	Part drawing
100	21.07.2018	4.49.13	Part drawing

DMG MORI
Drawing Number: H0104369
A01.02.1/1
22.04.26
3189

WARNING: EXPORT CONTROLLED - RESTRICTED - CONFIDENTIAL
Property of DMG MORI. Disclosure to persons without permission is strictly prohibited. Control Point
Control Point for disclosure procedures and approvals. Violations are subject to sanctions and restrictions.

