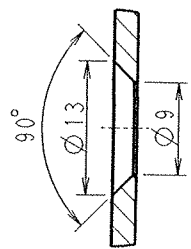
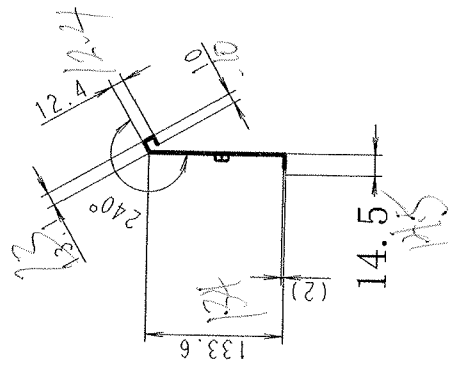


MAJOR DESIGN CHANGE
大幅設計変更



DETAIL OF $\phi 13$ COUNTERSINKING

f=2.0

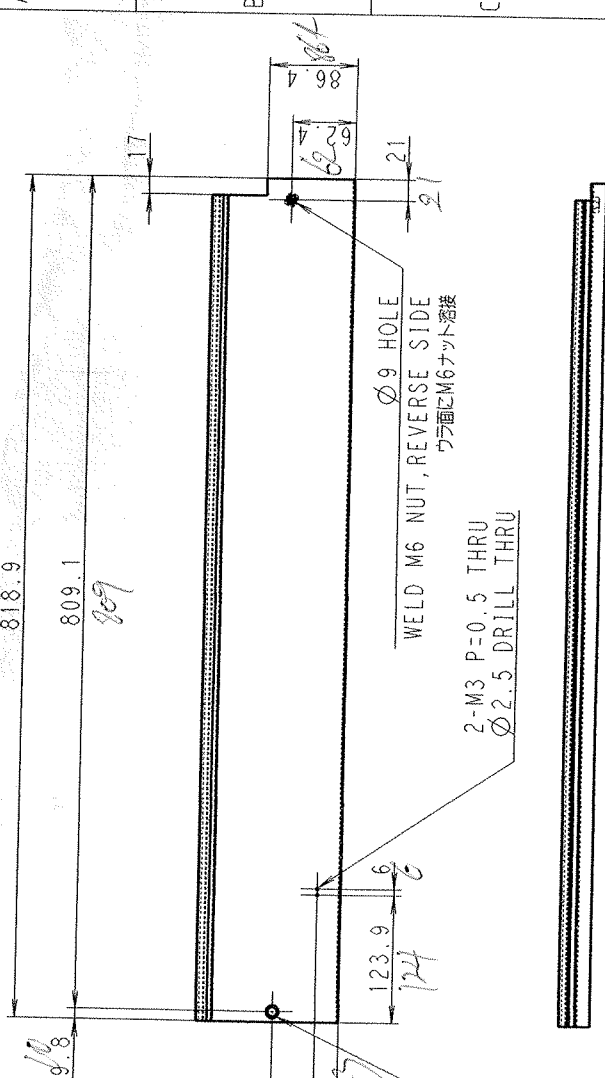
NO BURR ALLOWED AT EDGE
エッジ部はカエりのなきこと

CORNER C2-3 WHERE NO INDICATION
指示なき角部C2-3のこと

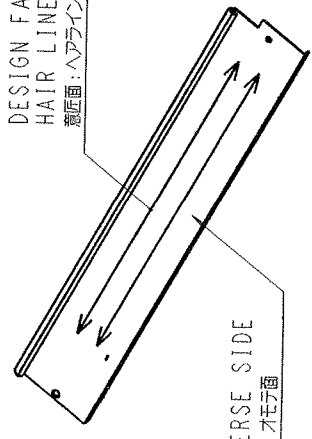
DESIGN FACE: HAIR LINE FINISH
意匠面:ヘアライン処理のこと

WELDING FINISHING UNNECESSARY FOR REVERSE SURFACE
裏面は溶接仕上げ不要

ONLY INDICATED PARTS DIFFER FROM H0504736C01
H0504736C01と異なる部分のみ異なる



DESIGN FACE:
HAIR LINE DIRECTION
意匠面:ヘアライン方向



OBVERSE SIDE
オモテ面

REVERSE SIDE
ウラ面

$\phi 9$ HOLE
WELD M6 NUT, REVERSE SIDE
ウラ面にM6ナット溶接

2-M3 P=0.5 THRU
 $\phi 2.5$ DRILL THRU

$\phi 13$ COUNTERSINKING
 $\phi 9$ DRILL THRU
(FROM OBVERSE SIDE オモテ面より)
REFER TO DETAIL OF
 $\phi 13$ COUNTERSINKING
詳細図参照のこと

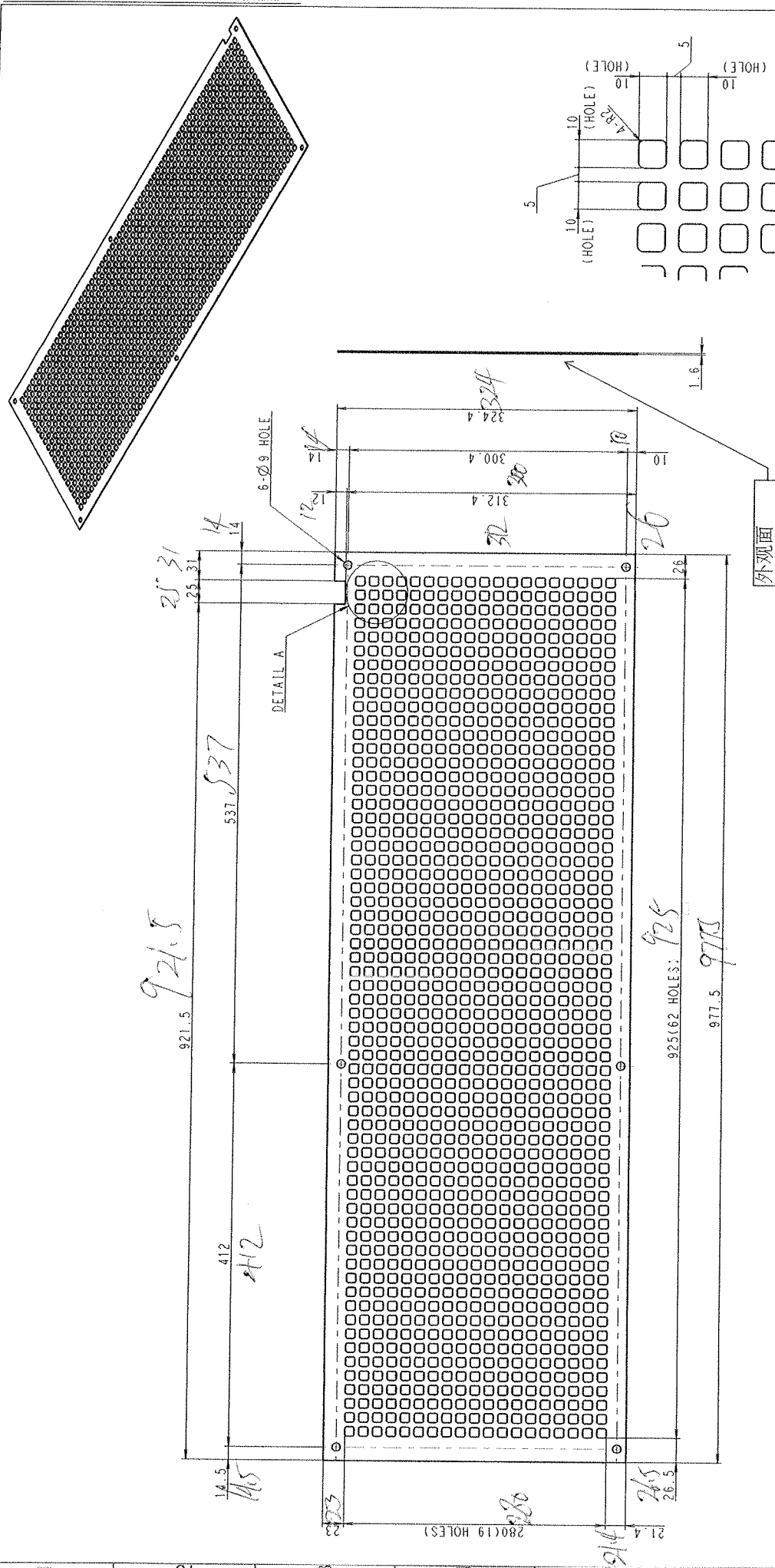
The property and copyright is certified by DMG MORI SEIKI CO. Copyright according to ISO 16016 consider--		Part Number	5413198	wf.	Date (d.m.y)	Name	Pre: H0504736C01	Document type:
Change No.	001	Date (d.m.y)	21.02.2023	dmw.	21.02.2023	NOBUYUKI MASAIKE	O.C.:	MD
Rev.				rev.			Mass:	2.21 kg
				ref.	28.02.2023	MASAO FUKUMORI	Material:	SUS430
Title:		THIRD ANGLE PROJECTION		Title:		CABIN-S - SEC001 (A-E-F)		Sheet:
Drawing Number:		5413198		Title:		Cabin subcomponent		Type:
Changed by:		NOBUYUKI MASAIKE		Drawing Number:		5413198		Rev.:
Changed by:		NOBUYUKI MASAIKE		Drawing Number:		5413198		Sheet:

3178



DMG MORI

A B C D E F G H I J K



DETAIL A

1:1.5
 NO BURR ALLOWED AT EDGE
 エッジ部バリ無きこと
 CORNER R2.3 WHERE NO INDICATION
 角部半径R2.3～3Dに記す
 PAINT COLOR: TITAN GRAY (TEXTURED)
 塗装色: タイタングレー(肌)

The property and copyright of this drawing are reserved by DMG MORI. All rights reserved. 本図書の権利はDMG MORIに帰属します。無断で複製・転載を禁じます。		Part Number: H0104296B0	Doc. Name: DMG MORI	Doc. Type: Part drawing
Author: HIDAKI MIZUNO	Drawn: HIDAKI MIZUNO	Checked: HIDAKI MIZUNO	Released: HIDAKI MIZUNO	
Appr: HIDAKI MIZUNO	Rev.:	Material: SUS304	Scale: 1:1	
Drawing Number: H0104296		Drawing Type: Sheet		
Revision: B01 02 1/1		Drawing Title: DMG3187-W001		

Rev. No.	Change	Reference	Changed by
B01	DMG4047	31.07.2018	DMG MORI
A01	DMG2741	05.04.2018	DMG MORI

出 22.04.26 管理 3187

WARNING: EXPORT CONTROLLED - RESTRICTED - CONFIDENTIAL
 DMG MORI reserves the right to change specifications without notice. 仕様変更は予告なく行われる場合があります。

