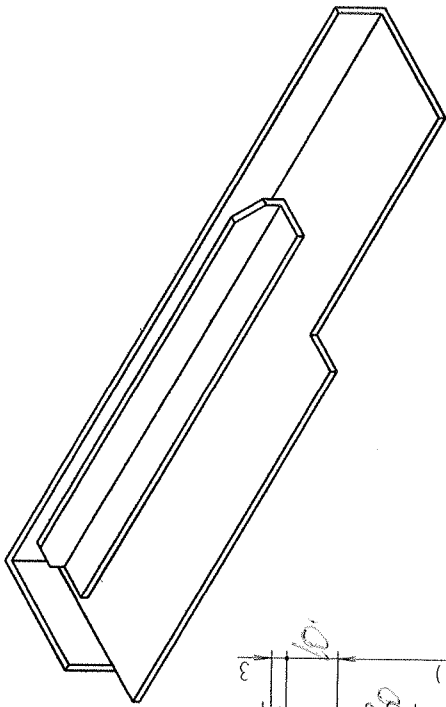
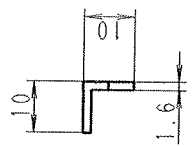
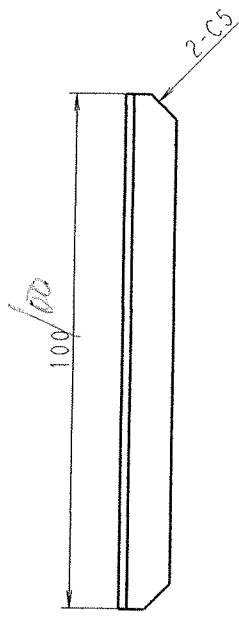
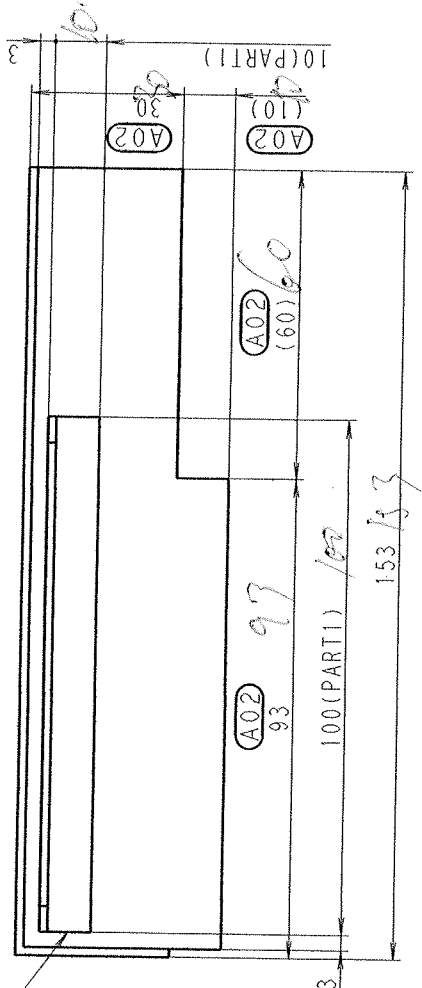
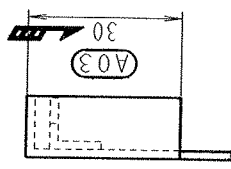


A B C D E F G H



NO WELDING BEAD
肉盛り不可



PART1
(t=1.6, S=1:1, 1PIECE)

t=1.6

NO BURR ALLOWED AT EDGE
エッジ部はカスのないこと

CORNER C1 WHERE NO INDICATION
指示なき角部C1のこと

PAINT COLOR: TITAN GRAY (TEXTURED)
塗装色: タイタングレー(凹5)

The property and copyright is entitled to: DMG MORI (SEIKI) CO. --Copyright according to ISO 16816 consider--		Part Number:	H0504920A03	DocId(m,y):	Pre: H0504920A02	Document type:	Part drawing
Rev. No.	Change No.	Date(m,y)	Changed by	wf.	Date(m,y)	Name	Q.C.
*	*	*	*	drw.	23.07.2018	NOBUYUKI MASAIKE	MO
*	*	*	*	appr.	23.07.2018	HIROKI MACHHARA	Mass: 0.12 kg
*	*	*	*	rel.			Format: A3
				Material: SPRC-P			
				THIRD ANGLE PROJECTION			
				Title: COVER			
				Drawing Number: H0504920 A03 02 1/1			
				Rev.: Type: Sheet:			

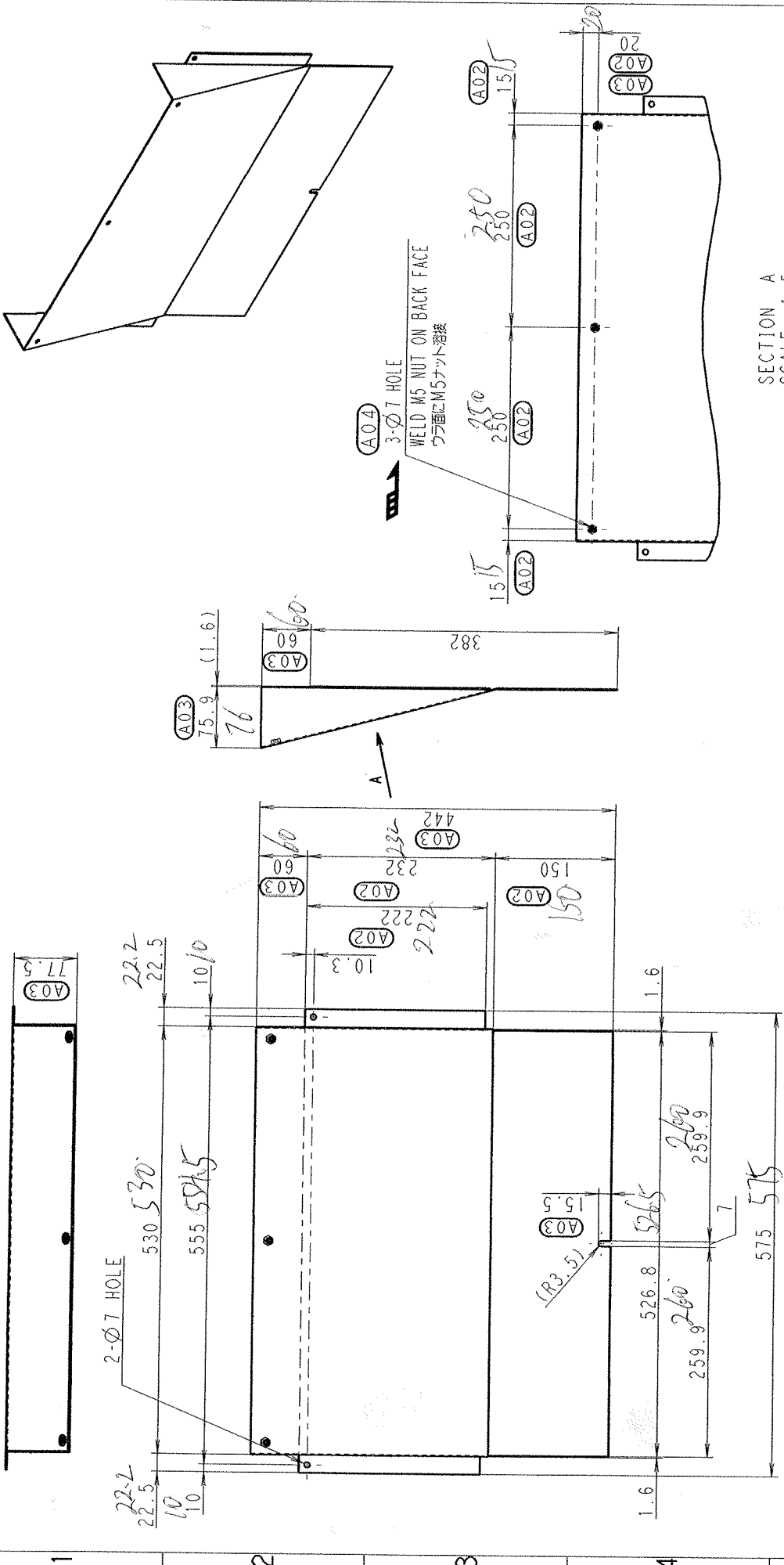
DATE OF THE FIRST DRAWING	16.08.2020	DESIGNER	TOSHIYUKI BABA
DATE OF THE SECOND DRAWING	03.06.2020	DESIGNER	TOSHIYUKI BABA
DATE OF THE THIRD DRAWING	23.07.2018	DESIGNER	NOBUYUKI MASAIKE
DATE OF THE FOURTH DRAWING		DESIGNER	
DATE OF THE FIFTH DRAWING		DESIGNER	
DATE OF THE SIXTH DRAWING		DESIGNER	
DATE OF THE SEVENTH DRAWING		DESIGNER	
DATE OF THE EIGHTH DRAWING		DESIGNER	
DATE OF THE NINTH DRAWING		DESIGNER	
DATE OF THE TENTH DRAWING		DESIGNER	

WARNING: EXPORT CONTROLLED - RESTRICTED - CONFIDENTIAL
Property of DMG MORI. DISCLOSURE TO FOREIGN PERSON OR ENTITY PROHIBITED. Contact Export Control Dept. for disclosure procedures and approvals. Violations are subject to sanctions incl. termination.

管理文書

22.04.21

A B C D E F G H



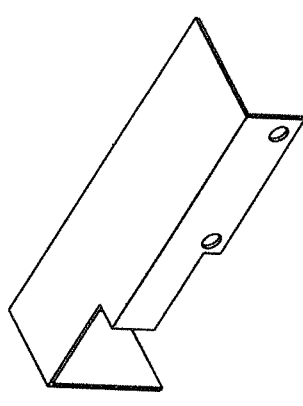
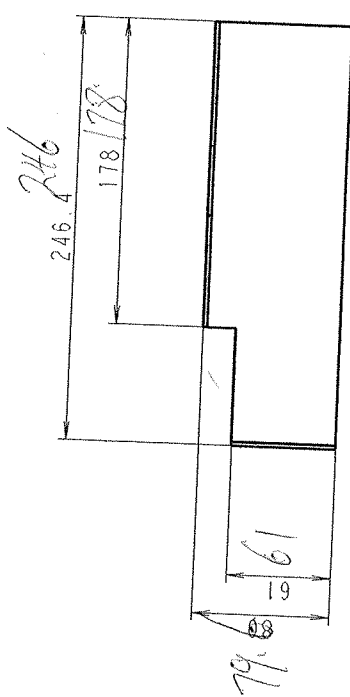
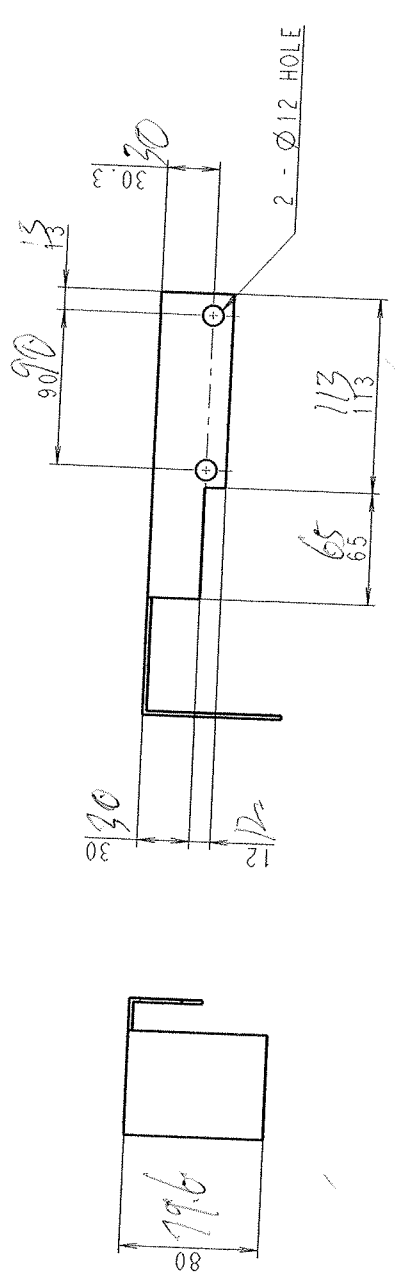
SECTION A
SCALE 1:5

t=1.6
 NO BURR ALLOWED AT EDGE
 エッジ部はかぶりなきこと
 CORNER WITHOUT INDICATION SLIGHT CHAMFERING(CO.2-CO.3)
 指示なき角部 米面取(CO.2~CO.3)
 PAINT COLOR: TITAN GRAY (TEXTURED)
 塗装色: タイタングレー(凹凸)

The property and copyright is entitled to: DMG MORI SEIKI CO. --Copyright according to ISO 16016 is considered--		Part Number	Name	Proc.	Docu. type
dfw.	01.09.2016	H1604995A04	ISAO HIKITA	O.C.	Part drawing
appr.	14.09.2018		HIROKI NAGAHARA	Mass	3.4t kg Format: A3 Scale: 1:5
rel.				Material	SPHC-P
THIRD ANGLE PROJECTION					
Title :					
BACK FIN COVER					
Drawing Number: H1604995					
Rev.: Type: Sheet:					
A04 02 1/1					

Rev.	Change No.	Date	By	Check	Content
01		2016.09.01	ISAO HIKITA		INITIAL DRAWING
02		2018.09.14	HIROKI NAGAHARA		REVISION
03		2018.09.14	HIROKI NAGAHARA		REVISION
04		2018.09.14	HIROKI NAGAHARA		REVISION

1 2 3 4 5 A B C D E F G H



t = 2.3

NO BURR ALLOWED AT EDGE
エッジ部はかえりなきこと

CORNER C2-3 WHERE NO INDICATION
指示なき角部C2-3のこと

PAINT COLOR: BLACK
塗装色: 黒色

The property and copyright is entitled to: DMG MORI SEIKI CO Copyright according to ISO 16816 consideration.		Part Number: H1605084A01	Drawn: 04.01.2017	Checked: 04.01.2017	Name: HENICHI MIZUKOSHI	Proc. Q.C.:	Document type: Part drawing
Rev. No.	Change	Date (m.y)	Appr.	Rel.	Material:	Mass:	Format:
01		04.01.2017			SPHC-P	0.53 kg	A3 Scale: 1:3
THIRD ANGLE PROJECTION							
Title: BRACKET							
Drawing Number: H1605084							
Rev.: A01 02							
Sheet: 1/1							



DMG MORI
HENICHI MIZUKOSHI
Changed by

WARNING: EXPORT CONTROLLED - RESTRICTED - CONFIDENTIAL
Property of DMG MORI. Disclosure to foreign person or entity prohibited. Contact Export Control Dept. for declassification procedure and approvals. Violations are subject to sanctions incl. termination.

管理文書 試作

22.05.01