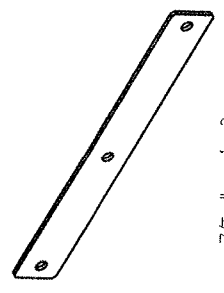
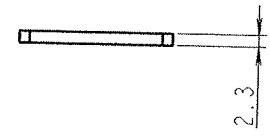
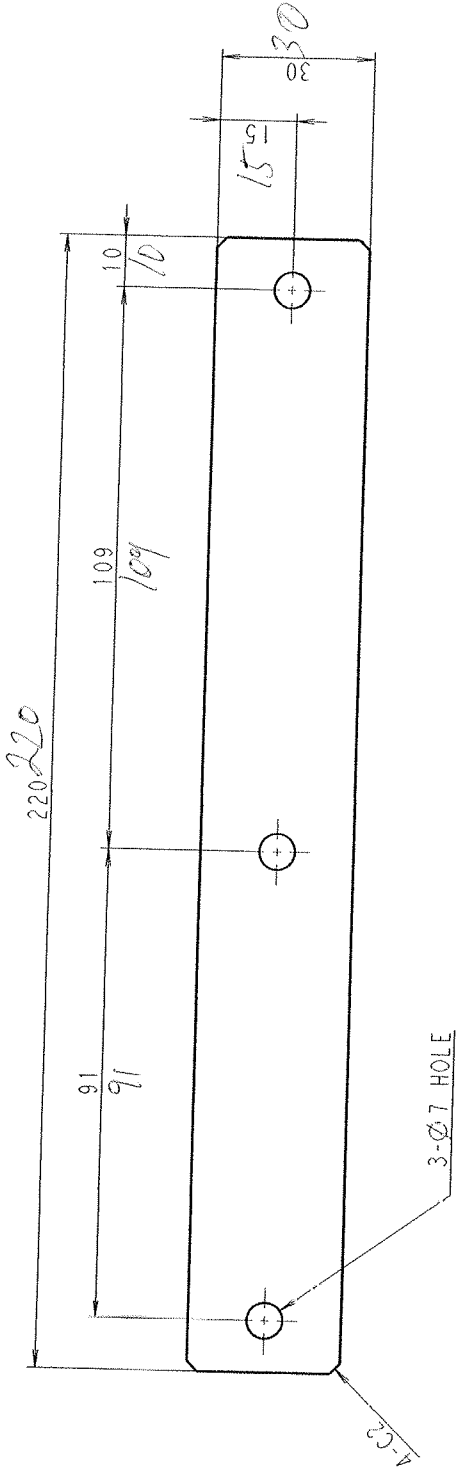


A B C D E F G H



スケール 1:3



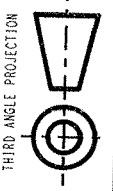
t=2.3

NO BURR ALLOWED AT EDGE
エッジ部はかえりのなきこと

CORNER R2~3 WHERE NO INDICATION
指示なき角部R2~3のなきこと

PAINT COLOR: BLACK
塗装色: 黒色

The property and copyright is entitled to: DMG MORI SEIKI CO. --Copyright according to ISO 16016 consider--		Part Number: H1405689A01	wf. Date(d.m.y): 16.02.2018	Name: KENICHI MATSUMOTO	Pre: MD	Document type: Part drawing
Rev.	Change No.	Date(d.m.y)	Appr.	16.02.2018	HIROKI NAGAHARA	Mass: 0.12 kg
A01		16.02.2018	rel.	Material: SPHC-P		
THIRD ANGLE PROJECTION						
DMG3264-W001						
Drawing Number: H1405689				Rev.: A01 02		Sheet: 1/1



DMG3264-W001

Drawing Number: H1405689

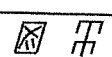
Rev.: A01 02

Sheet: 1/1

WARNING: EXPORT CONTROLLED - RESTRICTED - CONFIDENTIAL
Property of DMG MORI. DISCLOSURE TO FOREIGN PERSON OR ENTITY PROHIBITED. Contact Export Control Dept. for disclosure procedures and approvals. Violations are subject to sanctions incl. termination.

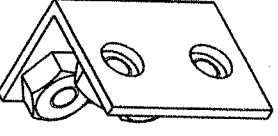
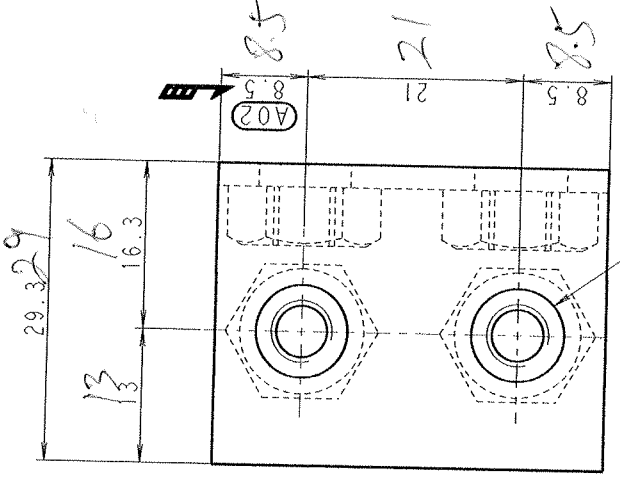
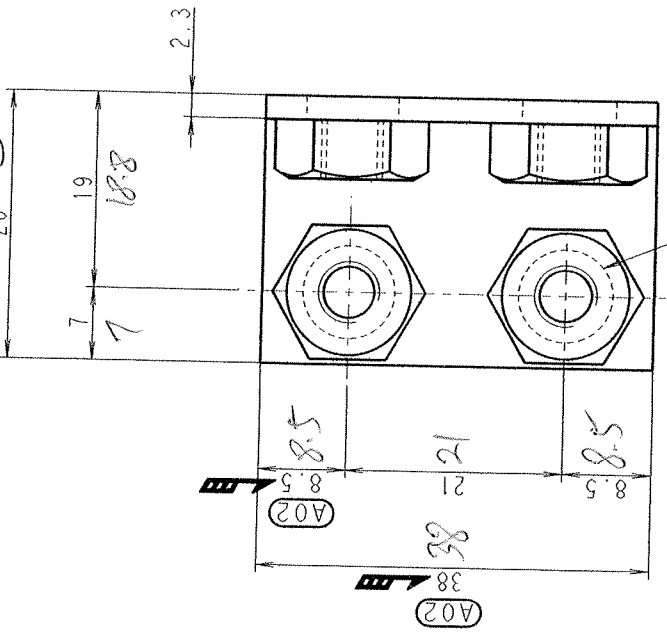
管理文書 試作

22.04.30



3264

A B C D E F G H



t=2.3

NO BURR ALLOWED AT EDGE
エッジ部はカネのなきこと

CORNER R2~3 WHERE NO INDICATION
指定なき角部R2~3のこと

PAINT COLOR : GRAPHITE BLACK
塗装色 : グラファイトブラック(凹凸)

The property and copyright is enfranchised to: DMG MORI SEIKI CO. --Copyright according to ISO 16816 consider--		Part Number. H1503036A02	wf. 29.01.2019	Date(d.m.y)	Name KUNIHICO YAMAJI	Pre. D.C.: MD	Document type: Part drawing
Change No.		Date(d.m.y)	29.01.2019	HIROKI NAGAHARA	Mass: 0.65 kg	Format: A3	Scale: 2:1
Rev.		No.	1	Material:		Title: CLAMPING PLATE	
A02		MM244661	26.04.2019	TAKAKI TANAKA		Drawing Number: H1503036	
A01		MM243932	29.01.2019	KUNIHICO YAMAJI		Rev.: Type: Sheet: A02 02 1/1	
Changed by		DMG MORI					
DMG MORI SEIKI CO.		DMG MORI SEIKI CO.					
3-1-1 YAMAGUCHI-KU, YOKOHAMA-CITY, CANTON OF KANAGAWA, JAPAN		3-1-1 YAMAGUCHI-KU, YOKOHAMA-CITY, CANTON OF KANAGAWA, JAPAN					
TEL: 042-700-1101 FAX: 042-700-1102		TEL: 042-700-1101 FAX: 042-700-1102					
E-MAIL: dmgsales@dmg-mori.co.jp		E-MAIL: dmgsales@dmg-mori.co.jp					

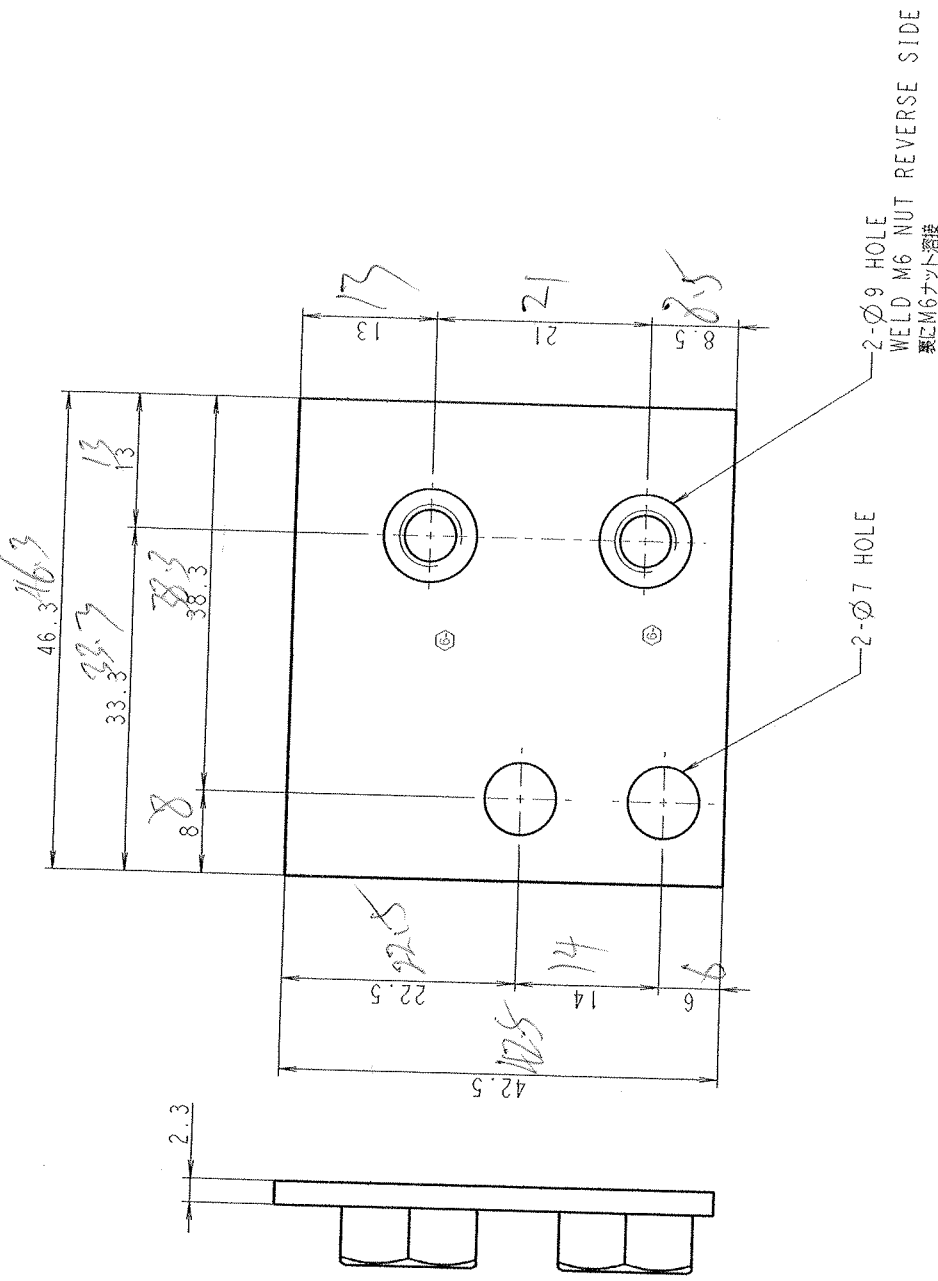
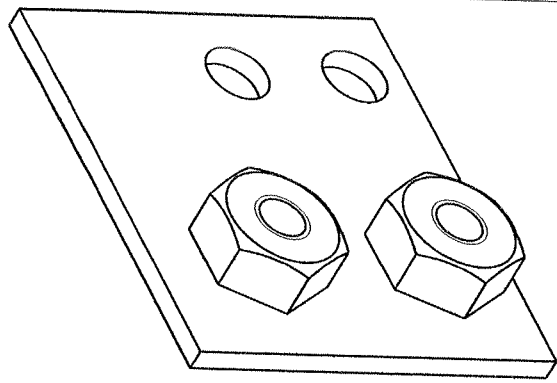
WARNING: EXPORT CONTROLLED - RESTRICTED - CONFIDENTIAL
Property of DMG MORI. DISCLOSURE TO FOREIGN PERSON OR ENTRY PROHIBITED. Contact Export Control Dept. for disclosure procedures and approvals. Violations are subject to sanctions incl. termination.

管理文庫

22.05.01

3266

A B C D E F G H



t=2.3

NO BURR ALLOWED AT EDGE
エッジ部はカスりなきこと

CORNER R2~3 WHERE NO INDICATION
指示なき角部R2~3のこと

PAINT COLOR : GRAPHITE BLACK
塗装色: グラファイトブラック(凹凸)

The property and copyright is entitled to: DMG MORI SEIKI CO. --Copyright according to ISO 16016 consider.		Part Number:	H3001576A01
wf. Date: 29.01.2019	Name: KUMIHIRO YAMAJI	Pre: MD	Document type: Part drawing
appr. Date: 29.01.2019	HIROKI MAGAHARA	Mass: 0.04 kg	Format: A3 Scale: 2:1
ref.	Material:		
THIRD ANGLE PROJECTION			
DMG3273-W001			
Rev. No.	Change No.	Date: 29.01.2019	Changed by: KUMIHIRO YAMAJI
Drawing Number: H3001576		Rev.: A01	Sheet: 02 / 11

NO. OF SHEETS	11
TOTAL SHEETS	11
NO. OF PARTS	1
TOTAL PARTS	1
NO. OF DRAWINGS	1
TOTAL DRAWINGS	1
NO. OF DIMENSIONS	1
TOTAL DIMENSIONS	1
NO. OF NOTES	1
TOTAL NOTES	1
NO. OF DIMENSION LINES	1
TOTAL DIMENSION LINES	1
NO. OF DIMENSION VALUES	1
TOTAL DIMENSION VALUES	1
NO. OF DIMENSION POINTS	1
TOTAL DIMENSION POINTS	1
NO. OF DIMENSION DIMENSIONS	1
TOTAL DIMENSION DIMENSIONS	1
NO. OF DIMENSION DIMENSION VALUES	1
TOTAL DIMENSION DIMENSION VALUES	1
NO. OF DIMENSION DIMENSION POINTS	1
TOTAL DIMENSION DIMENSION POINTS	1
NO. OF DIMENSION DIMENSION DIMENSIONS	1
TOTAL DIMENSION DIMENSION DIMENSIONS	1
NO. OF DIMENSION DIMENSION DIMENSION VALUES	1
TOTAL DIMENSION DIMENSION DIMENSION VALUES	1
NO. OF DIMENSION DIMENSION DIMENSION POINTS	1
TOTAL DIMENSION DIMENSION DIMENSION POINTS	1

3273

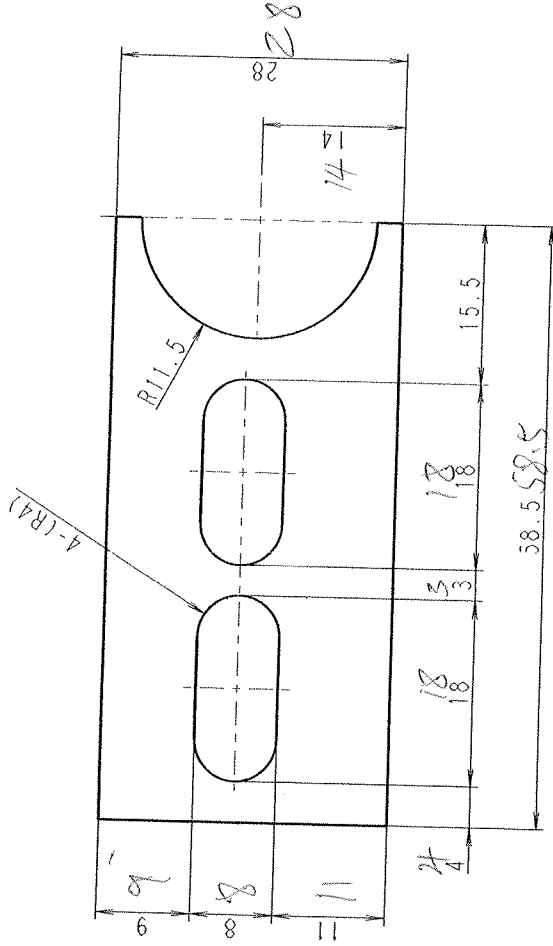
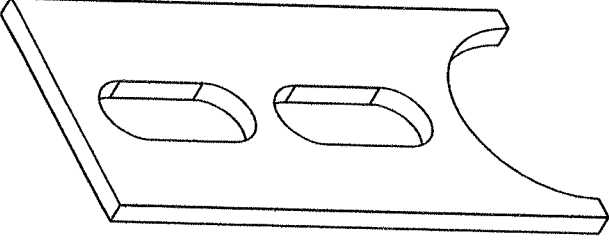
WARNING: EXPORT CONTROLLED - RESTRICTED - CONFIDENTIAL
Property of DMG MORI. DISCLOSE TO FOREIGN PERSON OR ENTRY PROHIBITED. Contact Export Control Dept. for disclosure procedures and approvals. Violations are subject to sanctions incl. penalties.

管理文書

22.05.04

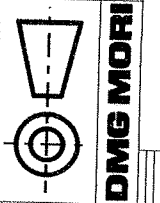
DMG MORI logo

A B C D E F G H



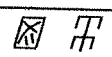
±2.3
NO BURR ALLOWED AT EDGE
エッジ部はかぶれなきこと
CORNER R2~3 WHERE NO INDICATION
指示なき角部R2~3のこと
PAINT COLOR : GRAPHITE BLACK
塗装色: グラファイトブラック(炭黒)

Property and copyright is entitled to: DMG MORI SEIKI CO				Part Number:	
Copyright according to ISO 16016 consider--				H3001577A01	
Name		Pre:		Document type:	
KUNIHRO YAMAJI		D.C.: MD		Part drawing	
HIROMI NAGAHARA		Mass: 0.02 kg		Format: A3 Scale: 2:1	
Date (m.y)		Material:		SPHC-P	
29.01.2019		THIRD ANGLE PROJECTION		DMG3274-W001	
29.01.2019		Drawing Number:		H3001577 A01 02 1/1	
29.01.2019		Rev. No.:		Type: Sheet:	
29.01.2019		Changed by:		A01 02 1/1	
29.01.2019		KUNIHRO YAMAJI			



管理文書

22.05.04



3274

WARNING: EXPORT CONTROLLED - RESTRICTED - CONFIDENTIAL
Property of DMG MORI; DISCLOSE TO FOREIGN PERSON OR ENTITY PROHIBITED. Contact Export Control Dept. for disclosure procedures and approvals. Violations are subject to sanctions incl. termination.

