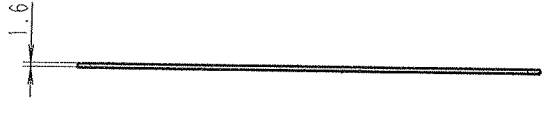
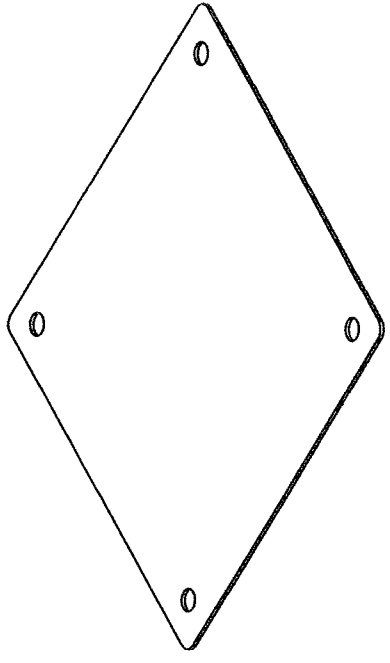
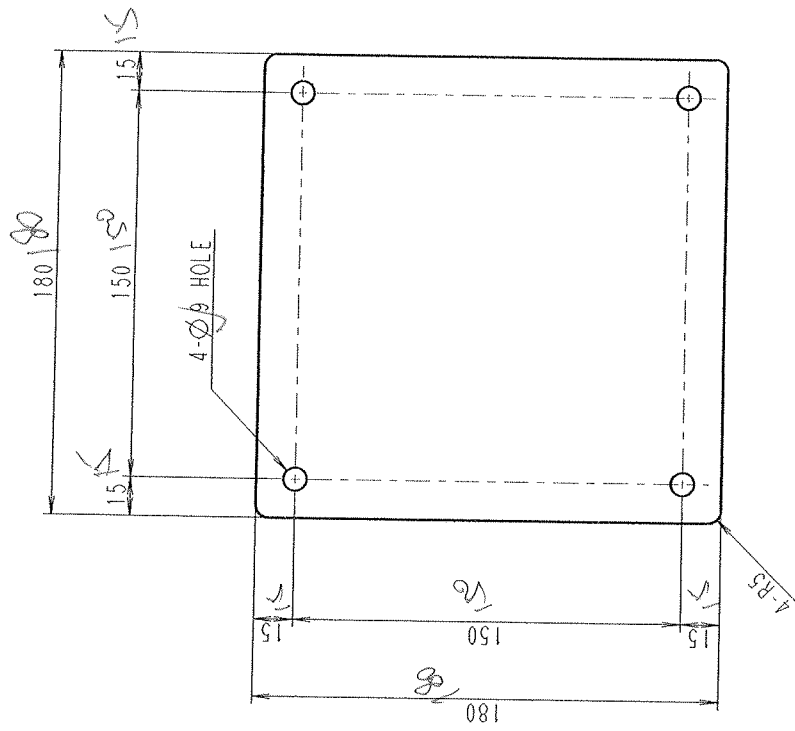


A B C D E F G H



t=1.6

NO BURR ALLOWED AT EDGE
エッジ部はかみかきすること

CORNER R2-3 WHERE NO INDICATION
指示なき角部R2~3のこと

PAINT COLOR: CALCITE WHITE (TEXTURED)
塗色: カルサイトホワイト(凹点)

WARNING: EXPORT CONTROLLED - RESTRICTED - CONFIDENTIAL
Property of DMG MORI. DISCLOSURE TO FOREIGN PERSON OR ENTRY PROHIBITED. Contact Export Control Dept. for disclosure procedures and approvals. Violations are subject to sanctions and termination.

管理文書 試作

22.05.04

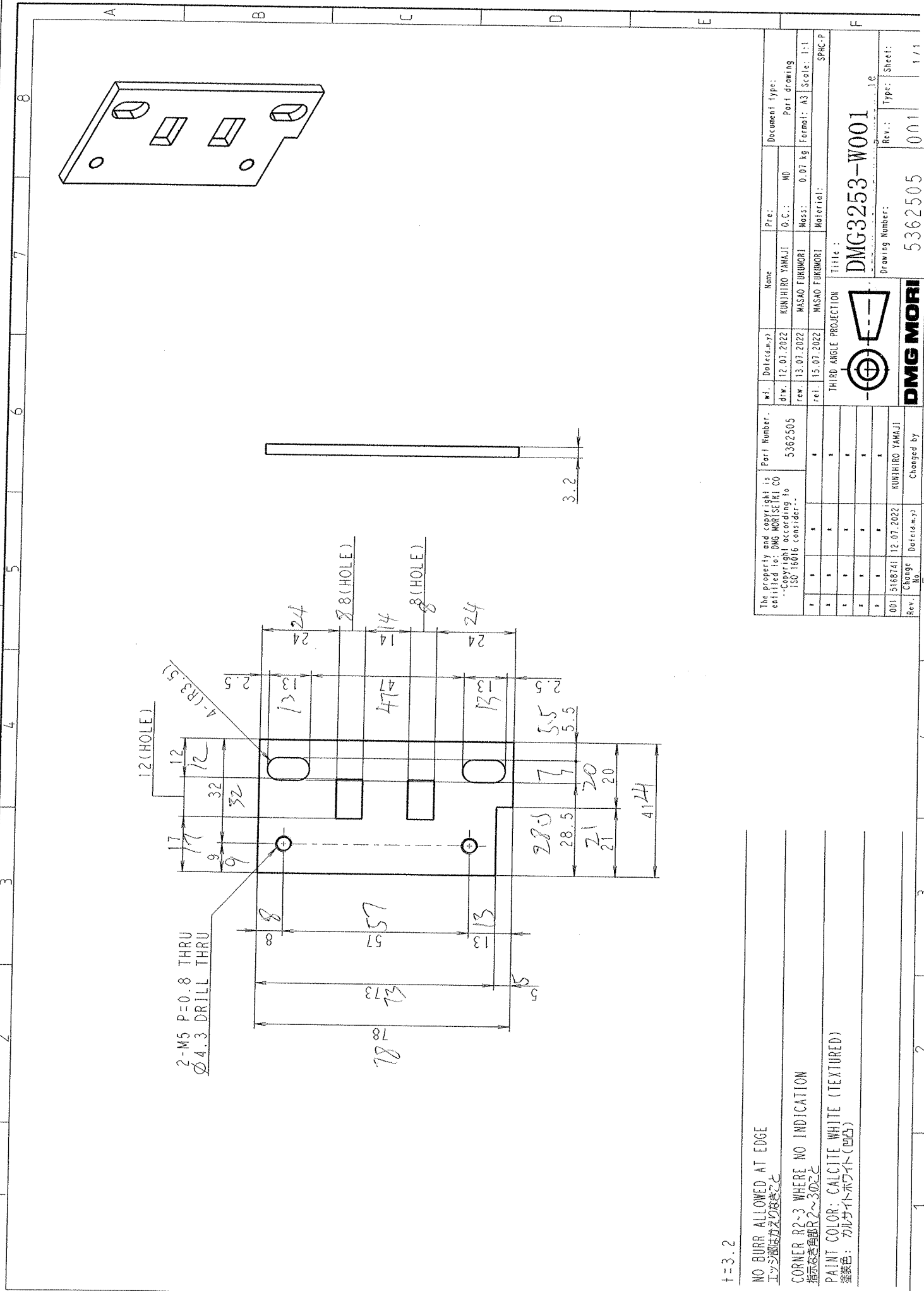
DMG MORI logo

The property and copyright is entitled to: DMG MORI SEIKI CO. All rights reserved according to ISO 18000 to consider...		Part Number: H3101443A01	Del.(a.m.y): 17.11.2017	Name: TAKAHITO KAMIYA	Prec.: WD	Document type: Part drawing
Rev.:	Change No.:	Del.(a.m.y):	appr.:	HIROKI NAGAHARA	Mass: 0.40 kg	Format: A3
A01	1	17.11.2017	17.11.2017			Scale: 1:2
Changed by: TAKAHITO KAMIYA		THIRD ANGLE PROJECTION		Material: SPHC-P		
Drawing Number: H3101443		Rev.:		Type: Sheet:		
A01 02		1/1		DMG3223-W001		



DMG MORI

3223



t=3.2

NO BURR ALLOWED AT EDGE
 エッジ部はカネのなきこと

CORNER R2~3 WHERE NO INDICATION
 指示なき角部R2~3のなきこと

PAINT COLOR: CALCITE WHITE (TEXTURED)
 塗色: カルサイトホワイト(凹凸)

The property and copyright is entitled to: DMG MORI SEIKI CO Copyright according to ISO 16016 consider...		Part Number: 5362505		w/ Date(s,y) drw. 12.07.2022		Name: KUNIHRO YAMAJI		Pre: M.D.		Document type: Part drawing	
				rev. 13.07.2022		MASAO FUKUMORI		Mass: 0.07 kg		Format: A3 Scale: 1:1	
				ref. 15.07.2022		MASAO FUKUMORI		Material: SPHC-P		Title: THIRD ANGLE PROJECTION	
				001 5168741 12.07.2022		KUNIHRO YAMAJI		Drawing Number: 5362505		Rev.: 001	
				Rev. Change No		Date(s,y)		Changed by		Type: Sheet: 1/1	
				5		6		7		3253	

DMG3253-W001



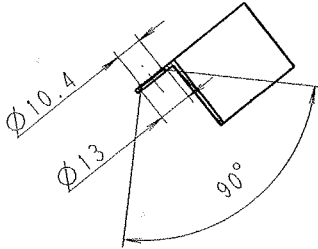
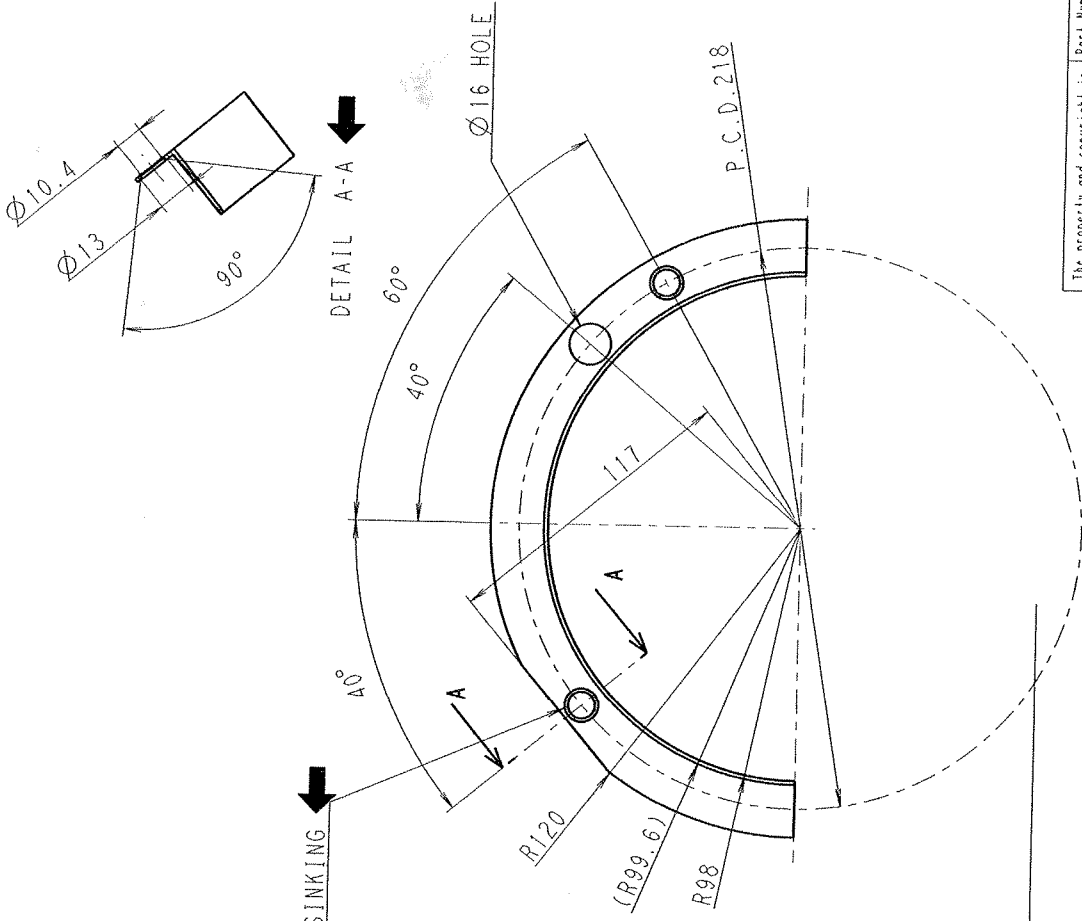
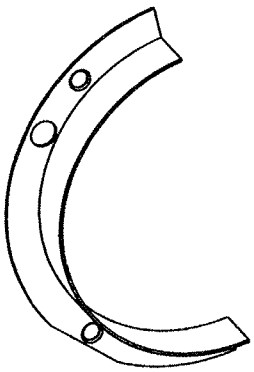
3253

WARNING: EXPORT CONTROLLED - RESTRICTED - CONFIDENTIAL
 Property of DMG MORI. DISCLOSURE TO FOREIGN PERSON OR ENTITY PROHIBITED. Contact Export Control Dept. for disclosure procedures and approvals. Violations are subject to sanctions incl. termination.

試作 管理文書

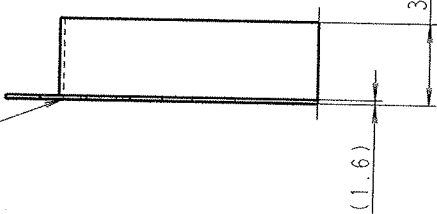
22.04.27

SPHC-P



2 - Ø13 COUNTERSINKING

NO BEAD WELD PERMITTED
 溶接肉盛不可



1=1.6

NO BURR ALLOWED AT EDGE
 エッジ部はかえりなきこと

CORNER R2-3 WHERE NO INDICATION
 指定なき角部R2~3のこと

PAINT COLOR: BLACK
 塗装色: 黒色

ONLY INDICATED PARTS DIFFER FROM "H0501733A02"
 "H0501733A02" と ← 部のみ異なる

Rev.	Change No.	Date(s,y)	Changed by
A01	IMI 82369	16.02.2018	KENICHI MATSUMOTO

w.f.	Date(s,y)	Name	Pre:	Document type:
drw.	16.02.2018	KENICHI MATSUMOTO	O.C.: MD	Part drawing
appr.	16.02.2018	HIROKI NAGAHARA	Mass: 0.21 kg	Format: A3 Scale: 1:2
ref.			Material:	SPHC-P

Title:	
SPINDLE HEAD COVER	
Drawing Number:	H0504785
Rev.:	A01 02
Type:	Sheet
	1/1

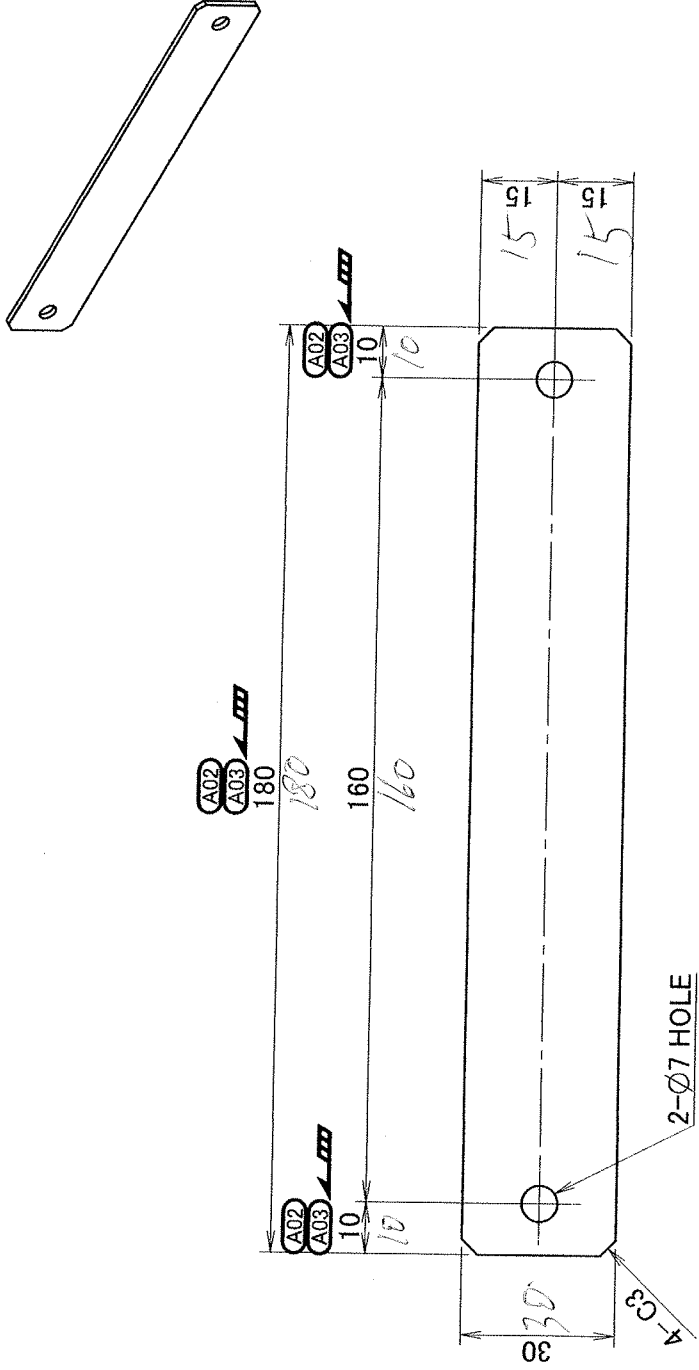


DMG MORI

Rev.	Change No.	Date(s,y)	Changed by
A01	IMI 82369	16.02.2018	KENICHI MATSUMOTO

3257

項目	内容	数値(参考)
材料(kg)		0.1
加工	レーザー(分)	0.0
	タパン(分)	0.0
	曲げ(分)	0.0
	溶接(分)	0.0
	マシニング(分)	0.0
表面処理	塗装(m ²)	0.0
	皮膜処理(kg)	0.0
予想所要量(個/月)		50



t=2.3
 NO BURR ALLOWED AT EDGE
 エッジ部はかえりなきこと
 ROUND R2~3 WHERE NO INDICATION
 指示なきR部R2~3のこと
 PAINT COLOR: BLACK
 塗装色: 黒色

MACHINE MODEL	NLX2500 SY/SMC*	OPERATED	KOJI NISHIMURA	PROJECTION	SCALE	1:1	TITLE	DMG3262-W001
INITIAL DATE	10.09.16	Q. C.	MD	MATERIAL	SPHC	MASS	0.08 kg	
DESIGNED	TADAHIKO MATSUISHI	FORWARDED COMPATIBILITY	FC	DESIGNED	TADAHIKO MATSUISHI	APPROVED	NO COMPATIBILITY	
FC	FORWARD COMPATIBILITY	NO COMPATIBILITY						
REVISION	DATE	DESIGNED	DATE	APPROVED	DATE			
A03	FC 11.10.04	KOJI NISHIMURA	TADAHIKO MATSUISHI					
A02	FC 10.12.29	YASUNORI MATSUMOTO	TADAHIKO MATSUISHI					
A01	- 10.09.16	YASUNORI MATSUMOTO	TADAHIKO MATSUISHI					

MORI SEKI
 DRAWING NO. H1402091 A03

3262

出 22.04.30

試作 管理文書

WARNING: EXPORT CONTROLLED - RESTRICTED - CONFIDENTIAL
 Property of DMG MORI. DISCLOSE TO FOREIGN PERSON OR ENTRY PROHIBITED. Contact Export Control Dept. for disclosure procedures and approvals. Violations are subject to sanctions and termination.